

**CONSTITUTION  
and  
BY-LAWS  
of the  
NATIONAL FIELD ARCHERY  
ASSOCIATION**

Forty-fourth Edition  
Reprinted November 2019

**PREAMBLE**

This body, in drafting the Constitution and By-laws for the federation of states, intends that a basic format of government must exist for the benefit of all archery. We ask that all state associations abide and conduct themselves within its framework. In addition, this body recognizes the sovereignty of each state to promote individual programs to create more archers and memberships.

National Field Archery Association  
of the United States, Inc.  
800 Archery Lane  
Yankton, SD 57078-4174  
(605) 260-9279

Drafted February 4, 5 and 6, 1966  
Springfield, Illinois

Previous Editions:

February	1967
February	1968
February	1969
February	1971
February	1973
February	1976
February	1977
February	1980
February	1981
February	1982
February	1983
February	1984
February	1985
February	1986
February	1987
February	1988
February	1989
February	1990
February	1991
March	1992
April	1993
May	1994
May	1995
May	1996
May	1997
May	1998
May	1999
May	2000
May	2001
June	2002
June	2003
June	2004
June	2005
June	2006
June	2007
June	2008
June	2009
June	2010
June	2012
June	2013
June	2014
August	2015
November	2017

**Contents**  
**CONSTITUTION**

<b>PREAMBLE</b> .....	1
<b>ARTICLE I – Name</b> .....	9
<b>ARTICLE II – Purpose</b> .....	9
<b>ARTICLE III – Membership</b> .....	10
Individual Membership .....	10
Association Membership .....	12
Corporate Membership .....	13
<b>ARTICLE IV – Membership Voting</b> .....	14
<b>ARTICLE V – Duties of Officers and the Executive Secretary</b> .....	14
Officers .....	14
Executive Secretary and Treasurer .....	14
Duties.....	14
Election, President and Vice-President .....	15
Term of Office .....	15
Reports of Officers .....	15
Removal of Officers .....	16
<b>ARTICLE VI – Board of Directors</b> .....	16
Composition .....	16
Membership Voting.....	16
Bi-Annual Meeting.....	16
Election.....	17
Duties.....	17
Pay and Expense.....	18
Effective Date of Actions .....	18
Mail Voting .....	18
<b>ARTICLE VII – NFAA Council</b> .....	18
Composition .....	18
Sections.....	18
Pay and Expenses .....	19
Quorum.....	19
Meetings .....	19
NFAA Conference Calls.....	19
Mail Voting .....	19
Duties of the NFAA Council.....	19
Duties of Councilmen.....	20
Election of Sectional Councilmen .....	20
Term of Office .....	21
Prerequisite of Membership .....	21
Removal from Office.....	21

NFAA

2019/2020/2021

---

<b>ARTICLE VIII</b> – Conflict of Interest .....	21
<b>ARTICLE IX</b> – Committees .....	21
Legal .....	21
Rules Interpretation .....	21
Bowhunting and Conservation .....	22
NFAA Public Relations .....	23
Compton Medal of Honor .....	23
National Championship Tournaments .....	23
Instructor Committee .....	23
Other Committees .....	23
Committee Makeup .....	23
Committee Reports .....	23
<b>ARTICLE X</b> – Official Publication.....	23
<b>ARTICLE XI</b> – Editorial Board .....	24
Composition .....	24
Terms .....	24
Tenure on Board .....	24
Duties.....	24
<b>ARTICLE XII</b> – Fees and Dues.....	24
State Association Dues .....	24
One Time Dues.....	24
Individual Dues .....	25
Military and Foreign Dues.....	25
Non-affiliated Individual Dues.....	25
Effective Date of Dues .....	25
Payment of Dues.....	25
Bowhunter Dues .....	25
Life Membership Dues .....	25
Club Charter Fee.....	25
Course Approval Fee.....	25
Professional Division Dues .....	25
Junior Membership Fee .....	25
Changing of Dues .....	25
<b>ARTICLE XIII</b> – Funds & Finance .....	26
Bowhunting Defense Fund .....	26
NFAA Memorial Scholarship Fund .....	26
NFAA Foundation .....	26
Protect Archery Ranges Fund.....	26
<b>ARTICLE XIV</b> – Fiscal Year .....	26
<b>ARTICLE XV</b> – Alterations & Amendments to the Constitution .....	26

## BY-LAWS

<b>ARTICLE I – General Rules for Field Archery Games</b> .....	27
Terms.....	27
Definitions.....	27
Targets.....	28
Shooting Positions.....	28
Conduct & Disciplinary Actions.....	28
<b>ARTICLE II – NFAA Shooting Styles and Equipment Rules</b> .....	29
General.....	29
Barebow.....	29
Freestyle.....	30
Freestyle Limited.....	30
Freestyle Bowhunter.....	30
Traditional.....	31
Freestyle Limited Recurve.....	31
Crossbow.....	32
Barebow Recurve.....	34
Longbow.....	34
<b>ARTICLE III – Divisions of Competition</b> .....	35
Adult.....	35
Junior.....	35
Senior.....	36
Professional.....	36
<b>ARTICLE IV – Tournaments</b> .....	42
National Tournaments.....	42
Sectional Tournaments.....	43
State Association Approved Tournaments.....	44
Tournament Officials.....	44
Official Rounds.....	44
Standard Facing for Championship Field Ranges.....	45
Flighting for National and Sectional Tournaments.....	45
National and Sectional Divisions of Competition.....	45
Outdoor Shooting Rules.....	46
Scoring.....	47
Awards.....	48
Use of Handicaps.....	48
<b>ARTICLE V – The NFAA Handicap</b> .....	48
General.....	48
Establishing a Handicap.....	49
Handicap Procedure.....	49
Handicap Cards.....	49
Scores to be Recorded on Handicap Cards.....	49
Lost or Misplaced Handicap Cards.....	50
Administration of Handicaps.....	50
<b>ARTICLE VI – Official NFAA Rounds</b> .....	50
Field Rounds.....	50
Hunter Rounds.....	51
Animal Round.....	52
NFAA International Round.....	54
NFAA Indoor Round.....	54
Flint Bowman Indoor Round.....	56
NFAA 900 Target Round.....	57
NFAA 810 Target Round.....	60

NFAA

2019/2020/2021

---

NFAA 600 Target Round .....	60
NFAA Classic 600 Target Round.....	60
3-D Competition Rules.....	60
Lake of the Woods Round.....	64
<b>ARTICLE VII – The NFAA Indoor League Program.....</b>	<b>66</b>
Terms.....	66
League Sanction .....	66
League Formation, Officers and Duties .....	66
League Regulations .....	67
Shooting Rules.....	68
Awards.....	69
<b>ARTICLE VIII – The NFAA Outdoor League Program.....</b>	<b>69</b>
Terms.....	69
League Sanction .....	70
League Formation, Officers and Duties .....	70
League Regulations .....	70
Shooting Rules.....	71
Awards.....	71
<b>ARTICLE IX – Rules Governing the 20 and 15 Pin Awards.....</b>	<b>72</b>
<b>ARTICLE X – 500 Club and/or Perfect Club.....</b>	<b>72</b>
<b>ARTICLE XI – NFAA Service Pins.....</b>	<b>73</b>
<b>ARTICLE XII – Art Young Awards .....</b>	<b>73</b>
Game Awards of the National Field Archery Association.....	73
Art Young Big Game Awards .....	74
Art Young Small Game Awards.....	74
Bowhunter Awards.....	75
Bowfisher Program Awards .....	75
Diamond Buck Award.....	76
Application Disapproval.....	76
<b>ARTICLE XIII – Rules for Compton Medal of Honor .....</b>	<b>76</b>
<b>ARTICLE XIV – NFAA President’s Award .....</b>	<b>77</b>
<b>ARTICLE XV – Rules Governing the Award of the Medal of Merit.....</b>	<b>77</b>
<b>ARTICLE XVI – The Order of the Bone.....</b>	<b>78</b>
<b>ARTICLE XVII – Fellowship of Robinhood .....</b>	<b>78</b>
<b>ARTICLE XVIII – Club/Shop Charter and Course Approval .....</b>	<b>78</b>
Club/Shop Charter Procedures .....	78
Course Approval Procedure .....	79
Course Approval Marked or Unmarked .....	84
<b>ARTICLE XIX – NFAA Hall of Fame.....</b>	<b>85</b>
<b>ARTICLE XX – Amendments .....</b>	<b>85</b>
<b>ADDENDUM.....</b>	<b>85</b>
I. Opinions and Interpretations .....	85

## NFAA POLICY SECTION

<b>GENERAL POLICY</b> .....	86
1984: Definition: Residence.....	86
1988: Layout Permanent Bowhunter 3-D Range.....	86
1991: Outdoor National Tournament (Rotation).....	86
2006: Outdoor National Tournament (Format).....	86
2012: Outdoor National Tournament (Grouping).....	86
1996: NFAA Novelty Field Round.....	86
1996: Combination 3-D Animal and Field/Hunter.....	87
1996: Pee Wee Classification.....	88
2001: Youth Programs.....	88
1999: Representative at 3-D Tournaments.....	88
1999: Targets at 3-D Tournaments.....	88
1999: Additions or Amendments to the Policy Section.....	88
2000: Officers Liability Insurance.....	88
2000: Rules for NFAA Hosted Tournaments.....	88
2004: Selection of the World Archery Team.....	88
2003: National Youth Tournament.....	89
2005: Uniform Line Judging and Shooting Rules.....	89
2006: Accounting for National Tournaments.....	89
2006 Spectators at Outdoor Tournaments.....	89
2013: Appoint Representatives to Committee.....	89
2014: NFAA Tournament Officials Program.....	89
2014: Certified Instructor Program.....	90
<b>RIC RULINGS UPHELD</b> .....	93
<b>APPENDICES</b> .....	94
1. FLIGHT CHART FOR “200” SHOOTERS.....	94
2. NFAA HANDICAP CHART – INDOOR.....	96
3. HOW TO MEASURE BOWHUNTER STABILIZER BAR.....	97
4. RANGE CAPTAIN’S STAKING AND TARGET GUIDE.....	98
5. NFAA DIVISION/STYLE NOMENCLATURE.....	99
6. ANIMAL TARGET SCORING.....	100

This page intentionally blank



# CONSTITUTION

## ARTICLE I

### Name

The name of this Association shall be “National Field Archery Association of the United States, Incorporated”, indicated in the abbreviations as NFAA.

## ARTICLE II

### Purpose

- A. To unite field archery associations of states into one organized unit that will work uniformly and effectively in providing for the development of the sport of archery in conformance with the will of a majority of the membership.
- B. To provide the basic plan by which individual archers can organize into clubs that join together to form an Association within a state, in order to regulate and administer the sport within the described region.
- C. To provide a basic plan by which such field archery associations may become affiliated with the National Field Archery Association.
- D. To foster, expand, promote and perpetuate the practice of field archery and any other archery games as the NFAA may adopt and enforce uniform rules, regulations, procedures, conditions, and methods of playing such games.
- E. To encourage the use of the bow in the hunting of all legal game birds and animals, and to protect, improve, and increase the sport of hunting with a bow and arrow.
- F. To conduct a continuous educational program designed to acquaint the public and the archer with the use of the bow as a recreation and a weapon suitable for the hunting of legal game.
- G. To conduct tournaments to determine national championships in all archery games adopted by the NFAA and to provide sanctions for tournaments.
- H. To develop programs dedicated to the conservation and preservation of game and its natural habitat, and to cooperate with the federal and state agencies and sportsman and conservation organizations also dedicated to this purpose.
- I. To cooperate with other archery associations to foster and perpetuate the use of the bow in accordance with its ancient and honorable traditions.
- J. To foster and perpetuate a spirit of good fellowship and sportsmanship among all archers.
- K. To evolve and conduct programs that will give recognition to archers for proficiency with the bow and arrow in all sanctioned competition and hunting accomplishments.
- L. To regularly inform each member, in good standing, as to the major problems and issues affecting the sport of archery and hunting with bow and arrow, and/or to the action proposed or taken in order that the membership may make its will known to their duly elected representatives.

## **ARTICLE III**

### **Membership**

- A. Individual Memberships:
1. Honorary Membership, with exemption from regular fees and dues; may be granted for exceptional merit and service, upon recommendation of the NFAA Council and submitted to the Board of Directors 60 days prior to the bi-annual meeting. Such recommendations must be approved by a majority vote of the Board of Directors at the annual meeting except as provided for in A., 10.
  2. Life Membership with exemption from regular fees and dues may be granted to head of household, wives and children under 18 upon payment per following schedule:
    - 2.1 Life Membership shall entitle an individual to all services provided by NFAA except tournament competition privileges and any other services that must be supplied by or through the resident state association as defined in paragraph 3 of this section.
    - 2.2 Combined Life Membership shall entitle an individual to all services provided by NFAA. Each state will provide a state rate for regular and senior life memberships
    - 2.3 Life members who are 55 years of age and older will pay the same registrations fees as younger archers at National and Sectional tournaments. Those individuals who became NFAA Life members before 2007 may continue to be exempt from paying pre-registration portion of fees at National and Sectional tournaments.
    - 2.4 All Past Presidents of the NFAA will be made Life Members with all its privileges.
    - 2.5 A Life Membership shall be granted to anyone who has been a member for fifty years.
    - 2.6 Where a husband and wife are both Life Members of the NFAA, and the head of household dies, the surviving spouse shall become head of household without charge.
  3. Adult membership shall be granted to any individual 18 years of age or older upon application and payment of regular fees and dues through the affiliated state or foreign association of his residence. NFAA membership/handicap cards will only be issued from NFAA Headquarters upon receipt of proper fees/dues. In the event no such affiliated association exists, membership may be granted by application and payment of dues:
    - 3.1 Directly to NFAA Headquarters, or
    - 3.2 Through an affiliated state association whose boundary is contiguous to the state of residence.
    - 3.3 In order to compete in any sectional tournament, an archer must be a member of a state affiliate within that section, except as specified in paragraph 10 below.
  4. Cub, Youth or Young Adult Membership shall be granted to individuals under 18 years of age in the same manner as for the adult membership except a date of birth must accompany the individual's membership.
  5. Adult Patron Membership may be granted to an individual 18 years of age, or older, as the result of his/her contribution of \$500 or more to the NFAA, upon a majority approval of the NFAA Board of Directors. Said patron or patroness shall be exempt for life from NFAA dues and fees only.
  6. NFAA Bowhunter Membership, noncompetitive, shall be granted to any individual upon application and payment of applicable fees and dues directly to NFAA Headquarters. Membership benefits shall include one year's subscription to the official NFAA publication, Big & Small Game awards programs and eligibility for all hunting award contests sponsored by the NFAA. The NFAA Bowhunter Membership shall count on the weighted ballot.

7. Professional Membership: Archers who are NFAA members in good standing shall be eligible for membership, however, those archers under 18 shall be required to submit written permission from his/her parent or guardian. An NFAA form in triplicate shall be provided for Parent or Guardian signature.
8. USA Archery membership.
  - 8.1 Membership in USA Archery may be substituted for the NFAA membership requirements for the purpose of competing in NFAA tournaments, in NFAA Divisions and styles only. In addition, USA Archery members are eligible to participate in NFAA programs, with the exception of:
    - 8.1.1 NFAA Service Pins
    - 8.1.2 Art Young Awards
    - 8.1.3 NFAA Medal of Merit
    - 8.1.4 NFAA Hall of Fame
    - 8.1.5 The Order of the Bone
    - 8.1.6 NFAA Insurance programs
  - 8.2 USA Archery members shall not be issued a membership/handicap card by the NFAA. A current USA Archery membership card shall be required for participation in NFAA tournaments and programs.
  - 8.3 All state association requirements must be met to compete at the state level or below.
  - 8.4 USA Archery members shall not have voting rights and membership shall not count on the weighted ballot.
  - 8.5 USA Archery membership shall not include a subscription to the official NFAA publication.
9. Action of a club or state association of the NFAA resulting in suspension of an individual's membership will result in temporary revocation of all rights and privileges.
  - 9.1 In any cause for action the member must be notified in writing of the alleged violation and afforded a period of not less than 30 days to correct the violation or present a defense.
  - 9.2 If, during this period of time the violation has been corrected, all membership privileges will be reinstated.
  - 9.3 If the violation has not been corrected and no defense is offered within the period specified, the suspension will become permanent.
  - 9.4 Upon notice that a defense is being prepared the state association will schedule a hearing within 30 days from the date such notice of intent is received.
  - 9.4 The decision rendered may be appealed to the NFAA Council.
  - 9.6 Copies of the charges and all action and notices thereafter must be properly documented and sent to the club, the state association, the NFAA Director and the Executive Secretary of the NFAA
10. Adjacent NFAA affiliated states shall be authorized to arrive at unilateral or reciprocal non-resident membership arrangements. Resident as being defined as from the state through which the Member's NFAA card is drawn. NFAA members may join as many affiliated states, if accepted, as they wish. However, they may only shoot in the Sectional and the State Championship of the resident state for championship awards. The member must notify NFAA Headquarters in writing when changing residence. NFAA members may compete for awards in only one Indoor, one Outdoor and one 3-D Sectional; and only one Indoor, one Outdoor and one 3-D State tournament per calendar year. The member may shoot as a guest at any other time. Members may be privileged to change their state of residence **two times** during a calendar year.
11. Any individual member of the NFAA may be removed from NFAA office or barred or suspended from NFAA membership for cause by majority vote of the NFAA Board of Directors when in session or by majority of the NFAA Council when the Board of Directors are not in session. Any member so removed, barred or suspended shall have full

opportunity to present his/her defense to the charges. When provisions of the NFAA Constitution and/or By-laws provide for removal or suspension as concerns specific individuals or offices this paragraph shall be superseded in areas of conflict.

12. An individual residing in a foreign country not presently affiliated with the NFAA may apply for NFAA membership through an affiliated NFAA state or foreign country association of his choice without prejudice, and shall be granted the same rights and privileges as all other members of that association. Appropriate NFAA and state association dues shall apply, except that a 10% surcharge may be applied for foreign mailing of publications and correspondence.

B. Association Membership:

1. Association Membership shall be granted to one association of any state, foreign country or countries that supports the principals of, and abides by the rules, regulations, procedures and policies adopted by the National Field Archery Association upon payment of proper fees and dues established by the NFAA. That association shall be the governing association for NFAA activities within its respective area and may promote individual programs to create more archers and members.
2. Conditions of Association Membership: In order to be granted membership in the NFAA, the state or foreign country must:
  - 2.1 Have a Constitution and By-laws consistent with NFAA rules, regulations, procedures and policies, approved by the NFAA Council; and must file a digital, searchable document with the NFAA office which may be reviewed by the NFAA Board of Directors at the annual meeting.
  - 2.2 Must require all of its elected and appointed officers be members of good standing in the NFAA.
  - 2.3 Pay Association fees and dues set by the NFAA within the deadline limits for such payment, as listed under Constitution Article XII.
  - 2.4 Require membership in the NFAA as essential for competition, excluding the Guest Participant Divisions at Sectional and State level tournaments including NFAA mandated NFAA state championships in NFAA rounds as listed under By-Laws Article VI.
  - 2.5 Must offer one Indoor State Championship and one Outdoor State Field Championship tournament per year using official NFAA rules, rounds and targets. These tournaments must require NFAA membership in the competitor division. In the event a state does not have a field range available to host an outdoor field championship, an alternate official NFAA outdoor round may be used.
  - 2.6 Recognize NFAA approved membership cards, and do not issue any association membership card(s) that can be used as substitutes for the NFAA membership card.
  - 2.7 NFAA membership requirements may be waived at State level only in:
    - 2.7.1 Special events conducted for the sole purpose of membership promotion.
    - 2.7.2 Special events conducted in conjunction with Bowhunter Jamborees and Bowhunter Education programs.
    - 2.7.3 The issuance of non-competitive state association memberships.
    - 2.7.4 In Guest Participant Divisions not shooting for awards.
  - 2.8 The special events as listed in paragraphs 2.7.1 and 2.7.2 above shall be limited to state sponsored events and shall not exceed five per year.
  - 2.9 Make an effort to send a representative to an bi-annual meeting empowered to act for the state association on any and all issues before the NFAA Board of Directors while in session or in mail session.
  - 2.10 Enforce all rules, regulations and policies of the NFAA or be subject to possible charter revocation.

- 2.11 Refer all instances of questionable interpretation to their NFAA Director. The Director thereupon makes a ruling and then forwards his/her interpretation to the Rules Interpretation Committee.
3. Compliance Affidavit:  
On or before November 30<sup>th</sup> of each year, each authorized state association shall submit a compliance affidavit. The affidavit form shall be approved by the NFAA Council and provided by NFAA Headquarters. The affidavit, accompanied by a listing of the state association officers for the following year, the current state constitution and by-laws, only if amended in the past twelve months, and the required affiliation fee, shall be forwarded to the Sectional Councilman for review. By affixing his/her signature and forwarding the file to NFAA Headquarters, the Councilman provides authority for the NFAA Executive Secretary to issue continuance of association membership for the next calendar year.
4. Approval/Denial of Association Membership:  
A state or foreign association shall be granted membership in the NFAA upon submission of affiliation papers and compliance affidavit at which time the NFAA Council, after review of the documents, shall by physical meeting or mail ballot, approve or deny said association.
5. Reasons for denial of Association Membership:  
5.1 Failure to pay membership fees and dues within the deadline established by the NFAA.  
5.2 Failure to abide by, or enforce, the rules, regulations and policies of the NFAA.  
5.3 Failure to promptly remit fees and reports to NFAA.  
5.4 Failure to submit the required compliance affidavit.
6. Expulsion or Suspension of Association Membership:  
6.1 Expulsion or suspension of association membership may occur as a result of any of the failures as listed in subsection 5 of this section.  
6.2 If expulsion or suspension is required, the following steps will be taken:  
6.2.1 Upon presentation of evidence of cause for action, the NFAA Council will present specific charges against the state association to the association and the Sectional Councilman.  
6.2.2 The association will have 30 days to prepare a defense or to correct the deficiency.  
6.2.3 At the end of the 30-day period, the NFAA Council will re-examine the case. If the evidence was not valid or the deficiency is being corrected, the matter will be dropped. If the evidence was valid and no steps to correct the deficiency have been initiated, the charge along with the evidence and the defense (if submitted by the state association) will be immediately presented to the Board of Directors along with a motion for expulsion or suspension. The motion must be presented to the Board of Directors within 90 days of the time the evidence was first presented to any member of the NFAA Council.
7. Reinstatement of Association Membership:  
Action to reinstate membership lost through expulsion or suspension shall be sustained upon approval by a 2/3 vote of the Board of Directors.
- C. Corporate Membership:  
1. Shall be granted to all manufacturers of archery or related equipment for a yearly sum of \$1,000.00.  
2. Shall be granted to all wholesalers of archery or related equipment for a yearly sum of \$200.00.  
3. Shall be granted to all distributors or retailers of archery or related equipment for a yearly sum of \$50.00.

## **ARTICLE IV**

### **Membership Voting**

Matters that may come before the NFAA at any time may be submitted to the membership in a vote taken by mail. Determination of matters to be submitted to the membership shall be made by the Board of Directors. A question so submitted shall be decided by the majority of the members voting and shall be binding upon the NFAA.

## **ARTICLE V**

### **Duties of Officers and the Executive Secretary**

- A. Officers of the NFAA shall be President and Vice-President.
- B. The positions of Executive Secretary and Treasurer are not officers of the NFAA.
- C. Duties:
  - 1. President:
    - 1.1 The President shall preside at all general session, mail or conference call meetings of the NFAA Council, Board of Directors, or any duly constituted body. The President shall make available to the NFAA Council and the Board of Directors, copies of minutes of all such meetings at the earliest possible date, but no later than 30 days after the date of the meeting.
    - 1.2 Conduct meetings in strict accordance with Roberts Rules of Order.
    - 1.3 Appoint all standing and special committees.
    - 1.4 Initiate and develop activities of the NFAA Council, Board of Directors, or any other duly constituted body.
    - 1.5 Prepare and submit to the Board of Directors and membership an bi-annual report indicating activities and position of the NFAA.
    - 1.6 Be empowered to call an emergency Board meeting.
    - 1.7 To supervise the Executive Secretary in the conduct and performance of his/her duties.
    - 1.8 Be responsible for an annual audit by a Certified Public Accountant selected by the NFAA Council with the cooperation of the Executive Secretary, showing the NFAA financial condition at the close of business of each fiscal year.
  - 2. Vice-President:
    - 2.1 The Vice-President shall serve as a member of the NFAA Council.
    - 2.2 Perform the duties of the President if the President is unable to act.
    - 2.3 Coordinate public relations of the NFAA.
  - 3. Executive Secretary:
    - 3.1 The Executive Secretary shall conduct the affairs of the NFAA in accordance with the programs, policies and budgets as established by the Board of Directors.
    - 3.2 Organize, operate and supervise the administrative office of the NFAA and its employees.
    - 3.3 Coordinate the activities and programs of the NFAA.
    - 3.4 Supervise the fiscal affairs of the NFAA in accordance with the budget adopted by the Board of Directors.
    - 3.5 Assure proper publication of official notices and reports, attest documents, and keep the archives of the NFAA.
    - 3.6 Assure the proper publication of promotional literature.
    - 3.7 Assure the proper publication of any officially adopted publications by the Board of Directors.
    - 3.8 Assure an adequate book of accounts of the NFAA.
    - 3.9 Furnish a monthly financial statement to the NFAA Council and a quarterly financial statement to the Board of Directors.

- 3.10 Deposit all monies to the credit of the NFAA.
  - 3.11 Obtain the approval of the NFAA Council on any expenditure not incident to the prepared budget and all items which are not outlined in the policies and procedures of the bi-annual meeting.
  - 3.12 Promptly notify the appropriate state secretary and the sectional pro committeeman of the name and effective date upon issuance of an NFAA Professional Division membership; and promptly notify the appropriate state secretary of the name and effective date upon issuance of an NFAA Bowhunter membership (non-competitive), or upon issuance of an NFAA Life Membership.
  - 3.13 Forward all changes in the Constitution and By-laws to State Association NFAA Directors and Secretaries within 90 days of action to change.
  - 3.14 Be the custodian of all prizes and trophies of the NFAA and shall keep a record of them including the names of the donors, the conditions of competition governing the awards, and the names and scores of those who win them.
  - 3.15 Organize, operate and supervise the administration of NFAA National Tournaments: Duties to include registration, finances, shooting assignments, results and any other associated tasks directed by the Tournament Chairman, NFAA President and NFAA Council.
4. Treasurer:
- 4.1 In the event this office is not combined with the Executive Secretary, shall render such reports as required by the Constitution and/or requested by the NFAA Council and Board of Directors.
  - 4.2 Shall be responsible for such fiscal duties as outlined for the Executive Secretary.
- D. Election, President, and Vice-President:
1. In the first week of August of even number years preceding election year, the NFAA Council shall act as a nominating committee and nominate two or more candidates for each office of President and Vice-President and file the same with the Executive Secretary before September 30<sup>th</sup>. All candidates will have been contacted beforehand and agreed to accept the nomination. Any individual who meets the requirements and has a valid nomination, shall be included on the slate of candidates.
  2. Nominations will be accepted by the NFAA Council from a Council person or NFAA Director.
  3. The list of candidates for each office, their qualifications, and their platforms shall be published in the 4<sup>th</sup> Quarter issue of the NFAA official publication.
  4. The Executive Secretary shall mail the official ballot for the election along with the bi-annual meeting agenda items to the Directors
  5. The ballots shall be turned in to the Executive Secretary and counted on the first day of the bi-annual meeting. The candidate receiving the most number of valid weighted votes shall be the winner of each office.
  6. Write-in candidates or nominations from the floor shall not be considered.
  7. To be considered for the office of President or Vice President, the candidate must have served as NFAA State Director or NFAA Councilman.
  8. In the event that there is only one candidate for an office, the candidate will be considered elected by unanimous vote.
- E. Term of Office:
1. The term of office for the President and Vice-President shall be for two years and shall run from 1 April of the election year to 31 March of the end of the two-year term.
- F. Reports of Officers:
- At the end of each fiscal year the President, Executive Secretary and Treasurer shall prepare a written report of their activities, and submit copies thereof within 30 days to each member of the NFAA Council and Board of Directors.

## G. Removal of Officers:

Any officer may be removed from office by the NFAA Council. The officer being considered for removal shall have the opportunity to present a defense against any and all charges within two weeks of official notification of said charges by the NFAA Council. The resolution to remove an officer must be approved by a two-thirds majority vote of the NFAA Council. Charges to remove an officer may be filed by any officer, or elected representative of the NFAA.

## **ARTICLE VI**

### **Board of Directors**

## A. Composition:

The Board of Directors shall consist of one representative from each chartered and recognized state or foreign association. He/she shall be certified as a member in good standing in the NFAA and shall be fully empowered to act for the Association on all issues presented before the NFAA Board of Directors. A quorum of the Board of Directors shall be the delegates present at the bi-annual meeting or responding to a mail vote. (Mail ballots not returned will not be counted.)

## B. Membership Voting:

1. Based on a membership count by NFAA Headquarters on December 31<sup>st</sup>, a State Association holding membership in the NFAA shall be entitled to one vote for 500 NFAA members or any fraction thereof, with a minimum of one vote and maximum of five for an association. The vote shall be cast by the Association's elected or appointed representative. He/she shall be a member of the NFAA Board of Directors.
2. On any motion before the Board of Directors for vote, the board member or his/her alternate shall vote yes or no. The state association shall have the authority to represent them at any meeting of the Board of Directors in the event their elected delegate is absent from the meeting. An alternate delegate must be a resident and a member of the state association he/she will represent and must be properly vested by the Credentials Committee prior to the start of the meeting.

## C. Bi-annual Meeting:

1. The Board of Director shall meet at least bi-annually, during odd numbered years, at a time and place designated by the Council after review of all bids and other sites obtained by the Executive Secretary. The meeting shall be set at a site most economical and prudent to the members and state organizations. Bids must be accompanied by a designated hotel and listing of facilities available (including banquet arrangements), a schedule of rates to be in effect at the time of the meeting and arrangements for transportation to and from travel facilities. In addition, the Executive Secretary may solicit bids as necessary.
2. The bi-annual meeting shall be adjourned when it is determined by the body that all business before it has been concluded.
3. Arrangements for the bi-annual meeting will be made by the NFAA Executive Secretary.
4. The Executive Secretary, President and Vice-President shall review the financial condition of the Association to determine emoluments for travel expense to the bi-annual meeting. Such information shall be submitted to each State Association President and NFAA Director 90 days prior to the date of the meeting.
5. Legislative Procedure:
  - 5.1 The Board of Directors shall utilize a system of specialized legislative committees to be appointed by the President. It shall be the duty of each committee to consider all legislation for which it has been assigned responsibility. It shall have authority to combine or amend such legislation, compiling it in proper form and introducing it on the floor of the meeting.
  - 5.2 Any Director, Councilman, Officer, the NFAA Bowhunting Administrative Chairman, or NFAA Pro Chairman may introduce an amendment to the Constitution and By-laws if submitted in writing (via fax, e-mail or postal mail) to



the NFAA Headquarters by September 30<sup>th</sup>. Verification of receipt is responsibility of sender.

- 5.3 In matters affecting the Professional Division, the Pro Chairman will be included in the Board of Directors vote. The weight of this vote will be determined in the same manner as the State Associations.
- 5.4 An amendment must be placed in proper form and correct chronological sequence and forwarded to NFAA Headquarters.
- 5.5 The Executive Secretary will, upon receipt of the amendment, place it in a legislative hopper to await final distribution.
- 5.6 Ninety (90) days prior to the bi-annual meeting the President will announce his appointments to the specialized committees and direct the Executive Secretary to forward to each member of a committee copies of amendments for which it has been assigned responsibility.
- 5.7 A major part of the first day of the bi-annual meeting will be delegated to meetings of the special legislative committees. Legislation that is reviewed by these committees, as well as minority reports, if any, will be included in the working agenda for the meeting of the general assembly.
- 5.8 Approval of the annual budget shall be the last item of business at the bi-annual meeting. Approval of the annual budget in the off year of the bi-annual meeting shall be through a Sectional mail-in vote of the Directors and represented by the Council at the annual Council meeting
- 5.9 All submitted agenda items must be mailed to the directors by the Executive Secretary no later than 90 days prior to the bi-annual meeting. Additional items may be placed on the agenda by resolutions signed by 15 board members present at the bi-annual meeting, and must be in proper form.
- 5.10 Each Director shall be appointed to one of the legislative committees.
- 5.11 The Bowhunting Committee shall address all agenda items at the same time as all other committee assignments.
- 5.12 The President should make himself available to all committees while the committee meetings are in progress at the bi-annual meeting.
- 5.13 All 15 signature items must be presented to, and assigned to the proper committee no later than noon of the last day of the bi-annual business meeting.
- 5.14 Forty five (45) days prior to the Bi-annual Meeting the Executive Secretary will mail the proposed Council business agenda to the Directors and Council.

D. Election:

1. The election of a Board of Director member of a state association shall be conducted by the state association in accordance with the provisions of their constitution.
2. The term of office shall be for a period of two years. No person may serve on the NFAA Board of Directors while serving as President, Vice-President or NFAA Councilman.
3. The Board members shall take office at the time they are elected or appointed by their Association.

E. Duties:

The Board of Directors being the fully constituted governing body of the NFAA shall be responsible to the collective membership of the NFAA for the following functions:

1. Consider and vote upon all proposed changes to the NFAA Constitution and By-laws, rules and regulations.
2. Rule on all protests within their states on equipment and rule violations. All Directors' decisions will be forwarded to the R.I.C., either to uphold or disallow.
3. Conduct deliberations in accordance with Roberts Rules of Order, whether in bi-annual session or session by mail.
4. Review, amend as required, and adopt an annual operating budget to be developed by the President, Vice-President and Executive Secretary in even years, and by their sectional councilman in odd years.

5. Elect a slate of officers in accordance with the provisions of this Constitution.
  6. Elect sectional members of the NFAA Council in accordance with the provisions of this Constitution.
  7. Establish the annual membership dues of the Association.
  8. Establish policy and procedures to be followed in dealing with other archery organizations, both national and international, and with other agencies affecting the NFAA.
  9. Shall fill any vacancy in any elective office of the NFAA which shall be for the unexpired term of the office.
  10. The Board of Directors may be recalled to mail session by a two-thirds majority vote of the NFAA Council or by petition from twenty-five members of the Board of Directors.
- F. Pay and Expense:  
Members of the Board of Directors shall serve without salary or emolument except that expenses for the Bi-annual Board of Directors meeting for travel, lodgings, and meals are authorized.
1. Members of the NFAA Board of Directors shall be exempt from paying pre-registration portion of fees at National and Sectional tournaments.
- G. Effective Date of Actions:
1. All action taken by the Board of Directors shall carry an effective date of 30 calendar days from notification in *Archery*, the official publication of the NFAA, unless an individual action includes an effective date, in which case the effective date shall be set to allow for publication in *Archery* magazine.
  2. Updated Constitution and By-laws handbooks shall be available within 90 calendar days from the close of the Bi-annual meeting.
- H. Mail Voting:  
On all questions submitted to the Board of Directors for a mail vote, the ballot shall be submitted by the Executive Secretary. Twenty-eight (28) days after the mailing of the ballots, the Executive Secretary shall count the ballots received. The Executive Secretary shall submit the record to the President, who shall thereupon declare the result of the vote as the official action of the Board. All questions requiring the action of the Board of Directors shall carry an effective date.

## **ARTICLE VII**

### **NFAA Council**

- A. Composition:  
The NFAA Council shall consist of the President, Vice-President, Immediate Past President, (see Article VII, Section k, Paragraph 4, for term of Immediate Past President on the NFAA Council) and eight Councilmen. The NFAA Councilmen will be fully empowered to act for the Association on all administrative issues presented before them when the Board of Directors is not in session. The NFAA Councilmen shall be elected from each of the following sections of the United States: the Northwestern, Southwestern, New England, Mid-Atlantic, Mid-Western, Great Lakes, Southern and Southeastern.
- B. Sections:  
NORTHWEST shall be comprised of Alaska, Washington, Oregon, Idaho, Montana and Wyoming.  
SOUTHWEST shall be comprised of California, Hawaii, Nevada, Utah, Colorado, Arizona and New Mexico.  
MID-WEST shall be comprised of North Dakota, South Dakota, Iowa, Nebraska, Kansas, Minnesota and Missouri.  
GREAT LAKES shall be comprised of Wisconsin, Illinois, Michigan, Indiana and Ohio.  
NEW ENGLAND shall be comprised of Connecticut, Rhode Island, Massachusetts, Vermont, New Hampshire, Maine and Europe.  
MID-ATLANTIC shall be comprised of West Virginia, New Jersey, Virginia, Maryland, Delaware, Pennsylvania and New York.

SOUTHERN shall be comprised of Arkansas, Louisiana, Oklahoma, Texas and Mississippi.  
SOUTHEAST shall be comprised of Alabama, Florida, Georgia, Kentucky, North Carolina, South Carolina and Tennessee.

C. Pay and Expenses:

1. The members of the NFAA Council shall serve without salary or emolument except the President and the Executive Secretary. Travel expenses to the bi-annual Board of Directors meeting, or called meetings and expenses incidental to the day to day operation are authorized. Expenditures must be ratified by the Board of Directors at the bi-annual meeting.
2. When the NFAA President must travel to represent the NFAA officially, travel expenses will be paid. Expenses for the NFAA President's spouse will also be paid. Expense vouchers should be monitored by the NFAA Council at the annual meeting. If the NFAA president delegates the trip to an elected official, that person's spouse gets the same benefits (Executive Secretary not included).
3. Members of the NFAA Council shall be exempt from paying pre-registration portion of fees at National and Sectional tournaments.

D. Quorum: At all meetings of the NFAA Council, seven members shall constitute a quorum including conference calls.

E. Meetings: The NFAA Council shall meet in person whenever possible and deemed necessary, at the call of the President. When the agenda is prepared for the meeting, a Councilman must send a copy of the agenda to his/her respective Section State directors for guidance when voting is necessary at the meeting

F. NFAA Council Conference Calls:

All actions of the NFAA Council may be decided by conference call with a vote being taken and recorded.

G. Mail Voting:

All action of the NFAA Council may be decided by mail. The Executive Secretary, at the direction of the President, shall submit any question requiring the action of the NFAA Council to the members of the NFAA Council by mail for their vote. Deliberations shall be in accordance with Roberts Rules of Order. Mail ballots not returned or postmarked within 30 days will not be counted.

H. Duties of the NFAA Council:

The Councilman shall be afforded the opportunity of being present at all NFAA activities occurring in his/her section. The NFAA Council shall, within limitations of the Constitution and By-laws and policies set by the Board of Directors, be empowered to act upon such affairs that are incident to the normal day to day business of the NFAA and shall accomplish the following:

1. Implement and administer programs and policies adopted by the Board of Directors.
2. By a 2/3 vote appoint an Executive Secretary.
3. By a 2/3 vote initiate action to dismiss the Executive Secretary.
4. Ratify the hiring of any or all new office personnel required by headquarters.
5. Review within 5 days, the monthly financial statement, and take whatever action deemed necessary.
6. Assure that all officers and employees are fully bonded in an amount and manner adequate to the protection of the NFAA.
7. Shall name the site and date of all annual NFAA Championship Tournaments.
  - 7.1 The National Indoor Tournament shall be held at one location based on 3 year bids.
8. Shall administer all properties held or acquired by NFAA.
9. Shall rule on day to day business of the NFAA, day to day business, meaning, all matters which come before the NFAA as well as the financial transactions for the NFAA which pertain to the day to day operation. Such decisions shall bind the NFAA but must be reported to the Board of Directors at the earliest opportunity, but no more than 30 days from date of decision.

10. Establish annually the fees and other sources of revenue required to defray operation expenses, and establish reserve funds required for bi-annual meeting and emergency meetings of the NFAA Council and Board of Directors.
  11. Shall assure an annual audit of the NFAA, or at any time deemed necessary as a result of a review of monthly financial reports.
  12. May initiate items for the agenda of the Board of Directors at the bi-annual meeting.
  13. Shall have the authority to transfer surplus funds of a budgeted line item to a budgeted line item deficit.
  14. Shall make available to the Board of Directors copies of minutes of each council meeting at the earliest possible date, but no later than 30 days after the date of the meeting. All votes by the Council, in Council meetings, shall be by roll call.
  15. The Council will approve all contracts by a 2/3 majority vote. All contracts must be signed by at least two (2) officers. Contracts may be renewed at the National Meeting.
- I. Duties of NFAA Councilmen:
1. Shall coordinate all activities, policies, rules and regulations of the NFAA in their section.
    - 1.1 Councilpersons are responsible for collecting the scores and fees from their respective Indoor and Outdoor Sectional tournaments, and forwarding same to NFAA Headquarters within fourteen (14) days of the close of said tournaments.
  2. Shall act as chairman of the sectional council composed of NFAA Board of Directors within his/her section.
  3. Shall annually hold a meeting of the NFAA Board of Directors within his/her section, at a time and location convenient to said Directors. Meeting minutes shall be submitted in writing to NFAA Headquarters within 30 days of said meeting. Said meeting shall require at least a 45 day notice to each Director as to date, time and location.
    - 3.1 Items to be placed on the agenda for the bi-annual meeting of the Board of Directors.
    - 3.2 Compliance of affiliated associations within the section with rules, regulations and policies of the NFAA.
  4. Agenda items originating from Sectional meetings and intended for action at the Board of Directors meeting will be submitted in writing (fax, e-mail or postal mail) to the NFAA Headquarters by September 30<sup>th</sup>. Verification of receipt is responsibility of sender.
  5. Shall be responsible for the conduct of all NFAA sectional tournaments held in accordance with games adopted by the NFAA.
  6. May initiate items for the agenda of the Board of Directors at the bi-annual meeting.
  7. Shall appoint, with approval by a majority of the Directors in his/her section, a Deputy Sectional Councilman who shall only perform the duties of the Sectional Councilman in his/her absence, incapacitation or resignation during the unexpired term. The Deputy Sectional Councilman must be a member in good standing of the NFAA, but does not have to be a Director.
  8. All annual sectional meeting material that is developed for the bi-annual meeting agenda and that is intended to change, add to, or delete from the NFAA Constitution and By-laws shall be prepared in resolution form and in the language of the Constitution and By-laws.
- J. Election of Sectional Councilmen:
1. Sectional NFAA Councilmen shall be elected by a simple majority of the members of the Board of Directors of the Section.
  2. Nominations may be made by any Director within the section.
  3. Election of the Councilman will take place at the annual sectional meeting by the Board of Directors of that section. Nominations will be made by any Director of the section, who will forward a resume of the nominee to each Director in the section a minimum of three weeks prior to the annual sectional meeting, at which time the nominations for Councilman will be closed. NFAA Headquarters will be notified of the election results along with the minutes of said meeting in accordance with Article VII, Section I, Paragraph 3.

- K. Term of office:
  - 1. Shall be for a period of two years.
  - 2. The Councilman shall take office on the first day of the month following election. When the office is vacant, the Councilman shall take office immediately upon election.
  - 3. Election of Councilman for the Northwest, New England, Mid-West and Southern sections shall be in even numbered years. Election of Councilman for the Southwest, Mid-Atlantic, Great Lakes and Southeast sections shall be in odd numbered years.
  - 4. The Immediate Past President shall remain an official member of the NFAA Council during the first two years of the term of the President replacing him/her.
- L. Prerequisite of Membership:

NFAA Councilmen must be members in good standing, but need not have been a NFAA Director.
- M. Removal from office:

NFAA Councilmen may be removed from office for cause by action of the NFAA Directors within his/her section provided the removal is approved by a 2/3 vote. The NFAA Councilman being considered for removal shall have the opportunity for rebuttal against any and all charges leveled against him/her.

## **ARTICLE VIII**

### **Conflict of Interest**

- A. No person holding an executive position in any other national archery association shall be eligible for nomination to, or to hold an executive office (President, Vice-President, Executive Secretary, Treasurer), if his/her major interests, elected or appointed position, or activities would influence him/her to abrogate the purposes contained in Constitution Article II.
- B. All conflict of interest questions shall be decided by the NFAA Council. Appeals shall be decided by a majority vote of the Board of Directors.

## **ARTICLE IX**

### **Committees**

- A. Legal:

Shall consist of the President, Vice-President, Executive Secretary and one attorney licensed to practice. The duties shall be to consider any proposed changes in the Constitution and By-laws of the NFAA and investigate and report on all legal and business affairs of the NFAA. They shall report their findings and recommendations to the NFAA Council and Board of Directors.
- B. Rules Interpretation:

Shall consist of three (3) NFAA Council members who shall be appointed by the President. Actions of this committee shall pertain to interpretations of existing rules and regulations as printed in the Constitution, and By-laws of the NFAA. Requests for interpretation will be considered by this committee from the following two sources:

  - 1. Interpretations already ruled upon by the Director for his/her home state.
    - 1.1 After a ruling is made by a Director, it is to be sent immediately to the Rules Interpretation Committee Chairman.
    - 1.2 The RIC chairman, within five days, will submit the interpretation to the other two members of the committee.
    - 1.3 RIC committee members are to reply within ten days of receipt of a Director's interpretation from the RIC chairman.
    - 1.4 Upon receipt of the opinions of the two committee members, the RIC chairman is to summarize and prepare for distribution the RIC ruling. This ruling is to be to the Executive Secretary within five days after receipt of the last opinion of an RIC committee member. Copies of the ruling are also to be mailed to the RIC committee members and to the Director who submitted the original interpretation.

- 1.5 Failure to adhere to the above time frame by any member of the RIC will constitute cause for dismissal by the President of NFAA, and the reappointment of a new committee member for the balance of the year.
  2. Interpretations asked for by manufacturers of new archery equipment.  
NEW EQUIPMENT: In the absence of a Director's ruling, the RIC shall be empowered to make rulings of new equipment. The ruling made will concern itself with the new equipment only if it is considered to be illegal as the NFAA rules apply at that time.  
RULINGS: Decisions rendered shall be final in all matters for which an interpretation is requested. All rulings of the Rules Interpretation Committee shall be sent to each member of the Board of Directors within twenty (20) days and also published in the official publication. If a ruling by the Rules Interpretation Committee is not adopted and placed into the contents of the NFAA Constitution and By-laws at the following Board meeting the ruling will automatically become null and void. The Board of Directors will determine the proper placement of upheld rules interpretations into the Constitution, By-Laws or Policy.
- C. Bowhunting and Conservation:  
The three Chairmen of the NFAA Bowhunting and Conservation Committee, appointed by the President, shall consist of (1) Administrative, (2) Marketing, and (3) Celebrity. Each is responsible for the specific duties as described by their title.
1. Hunting activities:
    - 1.1 Establish proper contact with conservation authorities.
    - 1.2 Disseminate to all states information concerning bowhunting legislative action taken or pending.
    - 1.3 Provide information on how to initiate bowhunting programs directed to the general public in the interest of better understanding.
    - 1.4 Initiate and provide educational bowhunting programs directed to the general public in the interest of better understanding.
    - 1.5 Initiate and provide an education training program for better bowhunting skill and practices.
    - 1.6 Provide for a bowhunting safety program.
    - 1.7 Initiate and provide for competitive and non-competitive games to stimulate actual bowhunting conditions.
    - 1.8 Review and study NFAA Big and Small Game hunting programs and prepare resolutions recommending rules governing the conditions for receiving such awards.
  2. Adequate funds for the entire bowhunting program and secretarial help to carry out same will be provided for in the annual budget of the NFAA.
  3. The Chairmen of the NFAA Bowhunting and Conservation Committee will provide for the smooth continuation and perpetuation of the committee contacts and knowledge gained during terms of office.
  4. The Administrative Chairman of the NFAA Bowhunting and Conservation Committee is to attend the bi-annual meeting with his/her expenses reimbursed the same as a NFAA Councilman.
  5. The Administrative Chairman of the NFAA Bowhunting and Conservation Committee shall appoint an NFAA Bowhunting Committeeman for each of the eight sections specified in Article VII. Duties of Sectional Bowhunting Committeemen:
    - 5.1 Shall coordinate all NFAA Bowhunting activities and policies within their sections.
    - 5.2 Shall be responsible for NFAA Bowhunter Jamboree conducted within their section.
  6. Each state shall have a bowhunting director, appointed by the Bowhunting and Conservation Committee.

7. There shall be a National Bowhunter Jamboree held annually with the details decided by the Bowhunting and Conservation Committee. The event, whenever possible, shall be held in conjunction with the National Unmarked 3-D Championship. NFAA Regular or Bowhunter membership will be required.
- D. NFAA Public Relations:
1. Chairman:
    - 1.1 Shall be the Vice-President.
    - 1.2 Shall serve as chairman of the Archery Promotional Committee.
    - 1.3 Shall coordinate all NFAA promotion activities, selecting his/her own committee.
  2. Duties:
    - 2.1 Develop promotional material in the form of flyers, pamphlets, decals and other items, which will promote archery from the club to the national level.
    - 2.2 Develop guidelines to take advantage of free community services such as newspaper, magazine, radio and TV from the local to national levels.
    - 2.3 Develop guidelines in layout and artwork for use by local clubs to promote their facilities, provide easels and counter display material which has public eye appeal.
    - 2.4 Develop guidelines and programs to improve club and state association management through upgraded meetings, activities and facilities.
    - 2.5 Establish and expand as appropriate an NFAA film library of movies and slides or archers enjoying all phases of NFAA recreational activities and games. Encourage the use of these films and slides at all levels of organized archery and at non-archery related groups, which are not anti-archery oriented.
- E. Compton Medal of Honor:  
The Compton Medal of Honor shall for all time retain its place as the most highly esteemed award in all archery. The safeguarding of its future will be entrusted to a committee of three NFAA members, selected by the President, who must have been members for ten years. Whenever possible a former Compton Medal of Honor recipient should be selected. The members will be appointed to 3-year terms on a rotation basis, with one new member being appointed each year.
- F. National Championship Tournaments:  
Shall consist of the Tournament Chairman, Local Chairman, Publicity and Public Relations Director, Executive Secretary and President. The Tournament Chairman shall act as Chairman of the Committee, and he/she shall be responsible for the conduct of the tournament and compliance of the host in accordance with the terms of the contract.
- G. Instructor Committee:  
The Instructor Committee of the NFAA, who is appointed by the President, is responsible for the entire instructor program which is intended to perpetuate and expand the knowledge and sport of archery.
- H. Other Committees:  
The President shall appoint such other committees as needed to carry out the functions of the NFAA, and also such committees as the Board of Directors may direct.
- I. Committee Makeup:  
Any member of the NFAA may serve on more than one committee.
- J. Committee Reports:  
The chairmen of all committees shall make their reports in duplicate, sending one copy to the President and one copy to the Executive Secretary at such times as may be designated by the President.

## **ARTICLE X**

### **Official Publication**

*Archery* magazine shall be the official publication of the federation of states and the NFAA.

## **ARTICLE XI**

### **Editorial Board**

- A. Composition:  
The Editorial Board shall consist of the following:
1. NFAA President, who shall serve as chairman of the board and who shall serve without voting privileges except in the case of a tie.
  2. The NFAA Vice-President.
  3. The NFAA Executive Secretary.
  4. The official publication editor.
  5. One member of the NFAA Board of Directors.
  6. The Immediate Past President.
  7. One member of the NFAA at large who does not hold an elective office in the NFAA.
- B. Terms:  
The term of office shall be for a period of two years for the NFAA Board of Directors and the NFAA Member at Large, to coincide with the fiscal year. The Immediate Past President will serve one year to coincide with his/her term on the NFAA Council.
- C. Tenure on Board:  
There shall be no limit of tenure on the Editorial Board.
- D. Duties:
1. To manage the editorial budget so that it will not be exceeded by more than 10 per cent except with the Board of Directors approval.
  2. To negotiate with an editor and/or publisher to produce the publication and with the webmaster to maintain the NFAA website.
  3. Determine the general content of material in the magazine, and establish and maintain a section for comments or letters to the editor or Executive Secretary via postal mail or e-mail.
  4. Shall be the final authority on policy, duties and responsibilities of the Executive Secretary and editor, or publishing firm, in regards to the operation of the magazine and the website.
  5. The Editorial Board shall meet at least once a year.

## **ARTICLE XII**

### **Fees and Dues**

- A. State Association Dues:  
State association (or foreign country) dues for the National Field Archery Association shall be determined by the total NFAA membership within the affiliated association. The fee shall be \$50.00 for each one thousand members to a maximum of \$100. This shall be based on a count taken on December 31 of each year.
1. A late fee of \$10.00 per month will be assessed for compliance affidavits received by councilman after November 30.
- B. One-Time dues:  
For promotional purposes, the NFAA reserves the right to adjust dues for first time members that join directly through the NFAA. Individual dues for first time members joining directly through the NFAA shall be \$65.00 (\$25.00 to be forwarded to the member's State Association). Family dues shall be \$95.00 (\$45.00 to be forwarded to the member's State Association). A family unit is defined as a head of household, spouse and dependents less than 18 years of age. Junior membership dues, as a primary member, shall be \$35.00 (\$20.00 to be forwarded to the member's State Association). After the first year of membership, all dues shall revert to the standard billing system used by each State Association. Should a new member join the NFAA directly through their respective State Association, the State Association fees used through the billing system shall apply.



- C. Individual dues:  
Individual dues for the National Field Archery Association shall be \$40.00 per year per person and shall include the National Field Archery Association's official publication. Each member or head of household may at his/her option, elect for \$1 to be designated for the Bowhunter Defense fund. Dues for one additional family membership shall be \$10.00 per year. Additional family memberships shall be \$5.00 per year per person. A family is defined as head of the household, spouse, and all dependents less than 18 years of age. A Youth family is defined as 2 or more youth members less than 18 years of age. Youth family members must be siblings. Dues billing shall be handled by NFAA for states. NFAA shall return state dues monthly.
- D. Military and foreign dues:  
Dues for the NFAA for military personnel and foreign nationals belonging to the NFAA affiliated association, or military personnel on transient basis who are not located within the jurisdiction of an affiliated body, shall be \$35.00 per year per person and shall include the NFAA's official publication. Dues for two additional family members shall be \$5.00 per year per person. Additional family memberships shall be \$2.00 per person. Transient military personnel shall be serviced from NFAA Headquarters.
- E. Non-affiliated individual dues:  
NFAA membership dues in states not affiliated with the NFAA shall be \$30.00 per year per person. Dues for additional family members shall be \$6.00 per year per person.
- F. Effective date of dues:  
Dues to the NFAA become effective January 1, 1966 and thereafter, during the fiscal year.
- G. Payment of dues:  
Payment of NFAA dues shall coincide with payment of state dues.
- H. Bowhunter dues:  
The yearly NFAA Bowhunter membership dues shall be \$35.00 with \$5.00 deposited in the Bowhunter Defense fund, \$5.00 returned to the State Association, and \$5.00 to the NFAA general fund for administration. The balance will be applied for magazine subscription and individual liability insurance. Additional family membership may be added for \$5.00 per year per person.
- I. Life Membership dues:  
The fee for Life Membership shall be:  
Head of Household                      20 times the Adult annual dues.  
Head of Household (over 65)      6 times the Adult annual dues.  
Spouse                                      20 times the additional Adult family membership dues.  
Each state will provide a state rate for regular and senior life membership.
- J. Club/Shop Charter Fee:  
The annual fee for Club/Shop charter shall be \$30.00.
- K. Course Approval Fee:  
The fee for each course approval shall be \$15.00 and shall be good for two years.
- L. Professional Division Dues:  
Annual fees for the Professional Division shall be \$125.00. This is in addition to the applicable NFAA membership dues.
- M. Junior Membership fee:  
Junior membership fee, as primary members, shall be \$15.00 per year. No adult may be a second member on this membership. Additional Cub, Youth and Young Adult family members may be added to the primary member for a fee of \$5.00 per person per year. Additional members in excess of two shall have a fee of \$2.00 per person per year. Junior members that have a current membership with, for example, S3DA, NASP, or JOAD may qualify for a 1-year trial membership. The offer is valid for new NFAA junior members only and will be renewed at the regular Junior rate upon expiration.
- N. Changing of dues:  
The annual NFAA dues for all categories of membership shall be decided by a 2/3 vote of the Council based on the financial needs of the organization, to be ratified by the Board of Directors.

## **ARTICLE XIII**

### **Funds & Finance**

#### **BOWHUNTING EDUCATION FUND:**

A NFAA Bowhunting Education Fund shall be established for development and promotion of hunter information and education programs to combat anti-hunting efforts or for funding of legal counsel in defense of bowhunting rights in the United States.

#### **NFAA SCHOLARSHIP FUND:**

The NFAA will have a Memorial Scholarship Fund for the furtherance of education of NFAA members. This fund will be perpetual (forever) and established from contributions to the NFAA Foundation, held in an interest-bearing account. Annual earnings from this “account” will be used in granting the awards. Funding will be through contributions and will honor individuals who have during their lifetime, contributed to the sport of archery. Contributions in excess of \$1,000.00 will be memorialized in a special brochure recognizing all donors and a brief description of their contributions. Rules for the scholarships shall be made by a committee, appointed by the President and shall consist of at least 50% Directors. Additional funding for the Scholarship Fund shall be provided by a yearly donation from the NFAA General Fund to the NFAA Foundation Scholarship Fund. The funding for this donation shall consist of one half of the net income from both the Shooters’ School and the Instructors’ School. Funds to be held in trust by the National Field Archery Association Foundation to be administered by the Scholarship Committee.

#### **NFAA FOUNDATION:**

This Foundation is a 501-C3 tax exempt Foundation. The purpose of the NFAA Foundation as presently formed is twofold. The first arm is the Museum Fund; this arm is the vehicle that is to be used to raise funds for the purpose of building an NFAA Museum. The second arm is our Scholarship Fund; this arm is to be used to raise funds for our yearly scholarship awards. Funding for both arms of the Foundation shall be through tax-deductible donations.

#### **PROTECT ARCHERY RANGES:**

An NFAA “Protect Archery Ranges” Fund shall be established to create and protect archery ranges.

## **ARTICLE XIV**

### **Fiscal Year**

The fiscal year of the NFAA shall begin on October 1<sup>st</sup>.

## **ARTICLE XV**

### **Alterations & Amendments to the Constitution**

The Constitution may be altered or amended by a 2/3 vote as represented and voted by the NFAA Board of Directors only at the bi-annual meeting.

# BY-LAWS

## ARTICLE I

### General Rules for Field Archery Games

The following applies to all NFAA approved rounds

- A. Terms:
1. Round – Prescribed number of targets for the game being shot.
  2. Stake – Shooting position.
  3. Target – Target face.
  4. Target butt – Any object against which the target is placed.
  5. Shot – This term in connection with the stake number, i.e., “4<sup>th</sup> shot”, shall be used in referring to the different shots on any course.
  6. Spot – Aiming center.
  7. Inside Out – A scoring term describing an arrow that does not touch the outer separating line of the applicable scoring area.
  8. Timber – Warning call to other archers who may be in danger zone, announcing that you are ready to shoot.
  9. Stabilizer – A device extending away from the archer (back of the bow).
  10. Counterbalance – A device extending parallel to or toward the archer (face of the bow).
  11. String dampening device – A device made to stop the forward motion of the string.
  12. Chronograph – An electronic device used for the measurement of arrow speed.
  13. Bow scale – A device used for the measurement of peak draw weight.
- B. Definitions:
1. Style – Refers to the type of shooting equipment used by the archer, i.e., Freestyle, Freestyle Limited, Barebow, Bowhunter Freestyle, Freestyle Limited Recurve, Traditional, Barebow Recurve, or Longbow.
  2. Division – Refers to the separation of competitive archers by category, i.e., Professional, Senior Professional, Master Senior, Silver Senior, Senior, Adult, Young Adult, Youth and Cub. Note: All divisions are available for both male and female.
  3. Class and/or Flight – Refers to the separation of competitive archers according to skill level.
  4. Scratch Score – Refers to an archer’s score before it has been adjusted by his/her handicap.
  5. Net Score – Refers to an archer’s score after his/her scratch score has been adjusted by his/her handicap.
  6. Handicap – Refers to the number of artificial points an archer receives to adjust his/her scoring ability to the common level of perfect.
  7. Handicap Differential – Refers to the difference between an archer’s scratch score and perfect.
  8. Guest Competitor and Guest Participant. Guest Competitor – Refers to an NFAA member shooting at an event outside of their respective State or Section. Guest Participant – Refers to non-NFAA member archers who may participate in sectional tournaments, state NFAA tournaments including the mandated NFAA indoor and outdoor state championships but who may not win awards nor claim titles such as “champion”. Non-NFAA member participants shall participate while observing all NFAA tournament requirements, rules and regulations. There will be no guest division, style, or class. Guest participants will not be listed on the scoreboard or tournament report other than the report will state the number of guest participants but no reference to names or scores. Sections and states have the option to honor the guest participant section of this item.
  9. Age – An archer’s age will be determined by their actual birth date and their physical age as of the first day of their competition in any tournament.
  10. Incomplete – When an archer does not complete required number of ends or targets in a tournament.

C. Targets:

1. They shall not be placed over any other larger targets nor shall there be any marks on the target butt or foreground that could be used as points of aim.
2. All target butts must be so placed that the full face is exposed to the shooter.
3. In all National and Sectional tournaments using official NFAA rounds, the following target configuration shall be used according to the target diameter:

20 cm. target faces: Sixteen target faces shall be used for the 35/30/25/20 foot and the 11 yard shots. The target butt shall be constructed to hold the targets in a 4 by 4 configuration.

35 cm. target faces: Four 35 cm. target faces shall be used. The target butt shall be constructed to hold the targets in a 2 by 2 configuration.

50 cm. target faces: Two target faces shall be used for the 35-yard fan (Field rounds) and 36-yard fan (Hunter rounds). The target butt shall be constructed to hold the targets either side-by side or one above the other.

65 cm. target face: One target shall be used.

4. In all National and Sectional tournaments using official NFAA rounds where Group 4 Animal faces are specified, four Group 4 Animal faces will be used and the target butt shall be so constructed as to encompass the targets in a 2 by 2 configuration. The four faces presented shall be of the same design. Where Group 3 Animal faces are specified, two Group 3 Animal faces will be used, either side-by side or one above the other. The two faces presented shall be the same design.
5. An archer shall not deface his/her target in any manner to include punching a hole, enhancing the X or any other portion of the target in an effort to gain sighting/aiming advantage. Any target so defaced shall be removed by the tournament chairman. Repeated offense shall be grounds for removal of the offender from the tournament. Note: The tournament chairman may have the archer's name placed on the target, as in indoor tournaments, however, the name will not be on or in the scoring area of the target.

D. Shooting Positions:

1. Yardage shall be shown for all shooting position stakes.
2. It shall be permissible to use two or more shooting position stakes at any or all one-position targets, provided the stakes are equidistant from the target.
3. All shooting positions shall be plainly visible. When ground level markers are used in place of traditional stakes, a sign should be posted listing the various positions for each target.

E. Conduct & Disciplinary Actions:

1. No alcoholic beverages or controlled substance (drugs) may be carried or consumed on any range or practice area during shooting hours at any NFAA sanctioned or owned tournament. Anyone caught breaking this rule will be immediately disqualified and not allowed to complete the tournament.
2. Littering the grounds of any tournament will not be permitted. Host will provide trash receptacles. Please keep our ranges clean.
3. Un-sportsmanlike conduct on the ranges or tournament grounds will not be tolerated.
4. A competitor not following the established tournament rules, improper conduct, or creating a safety hazard, may be disqualified immediately. Disciplinary actions from warnings to disqualifications are at the Tournament Chairman's discretion.

5. Verbal abuse or slander directed toward a Tournament Official while conducting their duties will result in immediate disqualification of the shooter from the tournament.
  6. Any disqualifications of a competitor should be documented in a written report that is signed by the Tournament Chairman, following the completion of the day's events. The report will be available for review by the Tournament Committee.
- F. The use of personal stereo or radio equipment for music or self-coaching is not permitted while on the shooting line in competition (or official practice).

## **ARTICLE II**

### **NFAA Shooting Styles and Equipment Rules**

A. General

1. A conventional bow of any type may be used provided it subscribes to the accepted principal and meaning of the word "bow" as used in archery competition, i.e., an instrument consisting of a handle (grip) riser and two flexible limbs, each ending in a tip with string nock. The bow is braced for use by a single bowstring attached directly between the two string nocks only. In operation it is held in one hand by the handle (grip) riser while the other hand draws, holds back and releases the string. In the case of physical disability of the arms or hands, a chew strap may be used in place of fingers or release aids.
2. Compound bows may be used, provided:
  - 2.1 Basic design includes a handle riser (grip) and flexible limbs.
  - 2.2 Total arrow propelling energy is developed from a flexing of the materials employed in limb construction.
  - 2.3 Weight reduction factor is of no consequence.
  - 2.4 Bows which develop any portion of arrow propelling energy from sources "other than the limbs" shall not be allowed. This is not to be construed to mean that compound bows which employ other sources of arrow propelling energy, not specifically listed in this paragraph, will be allowed.
  - 2.5 The cables of the compound bow shall be considered as part of the string and all applicable string rules except color requirements shall apply.
3. The maximum peak draw weight allowed in NFAA competition shall be 80 pounds, with a maximum arrow speed of 300 feet per second, with a variance of 3%. See By-Laws Article IV, Section D, Paragraph 1, Subparagraph 1.9.
4. Any device that would allow the mass weight, or the draw weight of the bow to be relieved from either or both arms, at full draw, shall be declared illegal.
5. All overdraws shall be designed in such a fashion as to prevent the arrow from falling off the shelf causing an unsafe condition.
6. Maximum arrow shaft diameter allowed in NFAA competition will be 0.422 inches, with point diameter not to exceed 0.425 inches. The shaft diameter will include any wrap placed on the arrow and will include the size of the nock and the nock insert. If the arrow wrap, nock, or nock adapter exceed 0.422 inches in diameter and are embedded in the scoring area of the target, the arrow shall not be scored and will be reshot.
7. No archer shall draw a bow in any manner that if accidentally released could fly beyond a safety zone or a safety arrangement over shoot area, backstop, etc. A warning will be given on the first instance. Second instance will require removal of archer from event.
8. Crossbows may be used as a separate style/division at National level Indoor events. They are optional at all other events and facilities at the discretion of respective responsible National, Sectional, State, Club, and Tournament officials.
9. Lighted nocks are not allowed.
10. All requests for rulings on equipment must be accompanied by an example of the item in question to the assigned committee and for examination by the Board of Directors prior to voting.

11. No arrow twirling or handling of arrows in an unsafe way. Every attempt should be made by the archer to keep arrow pointed toward the ground or target at all times. A warning will be given on the first instance. Second instance will require removal of archer from the event.
- B. Barebow:
1. Archers shooting Barebow style will use bow, arrows, strings, and accessories free from any sights, marks or blemishes that may be used as a sighting aid.
  2. An adjustable arrow plate may be used provided it does not extend more than ¼” above the arrow.
  3. The use of stabilizers shall be permitted. The rear stabilizer shall not touch any part of the body.
  4. One consistent nocking point only is permitted and may be held by one or two nock locators, which shall be snap on type, shrink tubing, thread or dental floss, tied or served on the serving. Nocking point locators shall not extend more than one half inch (1/2”) above or below the arrow nock when at full draw.
  5. Only one adjustable draw check and level mounted on the bow, neither of which may extend above the arrow and a mechanical type arrow rest and cushion plunger are permitted.
  6. Only gloves, tabs, or fingers shall be permitted, except in the case of physical disability of the arms or hands, a chew strap may be used in place of fingers.
  7. All arrows shall be identical in length, weight, diameter and fletching, with allowance for wear and tear. Powder on the arrow points shall be permitted as a visual aid.
  8. The ends or edges or laminated pieces appearing on the inside of the upper limb shall be considered a sighting mechanism.
  9. No device of any kind, not including arrow rest, arrow plate or plunger button, that can be used for sighting, will be used or attached to the archer’s equipment.
  10. The pylon (string clearance bar) will be allowed in this style if it is not located in the sight window.
  11. No part of the arrow rest may extend more than ¼ inch above the arrow in the sight window.
- C. Freestyle:
1. Any type of sight and its written memorandum may be used.
  2. Any release aid may be used provided it is hand operated and supports the draw weight of the bow and is not attached to the bow other than the bowstring. In the case of physical disability of the arms or hands, a chew strap may be used in place of fingers or release aids.
  3. The rear stabilizer shall not touch any part of the body.
- D. Freestyle Limited:
1. Any type of sight and its written memorandum may be used.
  2. Release aids shall be limited to gloves, tabs and fingers. In the case of physical disability of the arms or hands, a chew strap may be used in place of fingers.
  3. The rear stabilizer shall not touch any part of the body.
- E. Freestyle Bowhunter:
1. A maximum of (5) five fixed reference points: Points of attachment shall not be considered reference points. A line running vertically from its top attachment in the pin guard to its bottom attachment in the pin guard would be legal. Sighting reference points, string peep (with or without a lens) and/or kisser button may not be moved during a round. Scopes, clickers and draw checks are not allowed. A round or oval housing around the points of reference is not considered a scope as long as no lens is used. No additional pin guard may be used. A sight pin consisting of a housing with a hole through it, that does not contain a fixed reference point within the hole, is not allowed.
  2. Release aids will be permitted. In the case of physical disability of the arms or hands, a chew strap may be used in place of fingers or release aids.

3. A pinguard mounted on the sight, and a level mounted anywhere will be legal in this style of shooting, provided that there are no additional marks or blemishes on either of these items that could be used for sighting.
  4. A string of suitable material with a center serving and end servings of the same or different color than the string may be used. One consistent nocking point only is permitted. Nocking point locators shall not extend more than  $\frac{1}{2}$  inch above or below the arrow nock when at full draw. Brush buttons and string silencers properly attached will be legal.
  5. One anchor point only is permitted.
  6. All arrows shall be identical in size, length, weight, and fletching with allowances for wear and tear.
  7. Brush buttons, string silencer, positioned no closer than midway between the nocking point and where the string touches the wheel/cam, and bow quiver installed on the opposite side of the sight window, with no part of the quiver or attachments visible in the sight window are legal. One straight stabilizer, coupling device included if used, which cannot exceed 12 inches at any time, as measured from the back of the bow, V-bar, counterbalance and string dampeners may be used.
  8. An archer will not be permitted to change the draw weight of the bow during a round.
  9. During a round no adjustments may be made to the bow and its related equipment unless equipment failure is recognized.
- F. Traditional:
1. This style of shooting is for those who wish to compete with the Recurve or Longbow.
  2. No device of any kind, including arrow rest, that can be used for sighting will be used or attached to the archers' equipment.
  3. There shall be no device, mechanical or otherwise, in the sight window except the arrow rest, arrow plate or plunger button.
  4. No part of the arrow rest may extend more than  $\frac{1}{4}$  inch above the arrow in the sight window.
  5. No clickers, drawchecks or levels will be allowed. No laminations, marks or blemishes on the face of the bow or in the sight window will be legal.
  6. The string may be of any color but must have a single color center serving. One single nocking point is permitted. One or two nock locators may be used. Brush buttons and string silencers, properly placed may be used. Any other marks or string attachments will be illegal.
  7. One anchor point only is permitted.
  8. The archer shall touch the arrow when nocked and drawing the arrow with the index finger against the nock. Finger position may not be changed during competition. In the case of physical disability of the arms or hands, a chew strap may be used in place of fingers.
  9. Gloves, tabs or fingers shall be the only legal releases. In the case of physical disability of the arms or hands, a chew strap may be used in place of fingers.
  10. All arrows shall be identical in length, weight, diameter and fletching with allowance for wear and tear.
  11. One straight stabilizer, coupling device included, if used, which cannot exceed 12 inches at any time as measured from the back of the bow.
  12. No written memorandum will be allowed.
  13. Bow Slings are permissible.
  14. During a round no adjustments may be made to the bow and/or its related equipment unless equipment failure is recognized.
  15. For all tournaments below the Sectional level, all traditional archers may shoot at Youth distances at the discretion of each State or Club.
- G. Freestyle Limited Recurve:
1. Any type of sight and its written memorandum may be used, providing the sighting mechanism has no magnification. Levels, string peep sights, marks, ties or string

- attachments to the string and electronic devices are not allowed. A kisser button may be used.
2. Release aids shall be limited to gloves, tabs and fingers. In the case of physical disability of the arms or hands, a chew strap may be used in place of fingers.
  3. This style is limited to use of recurve bow or longbow.
- H. Crossbow
1. A foot stirrup is allowed, even if not original manufacturer's equipment.
  2. The use of mechanical spanning (cocking) aids is permitted.
  3. A fixed or universally adjustable butt hook/plate may be used provided: (1) It does not rest on and is not supported by the shoulder; and (2) It does not encircle any part of the body or limbs.
  4. An adjustable palm rest or handle is allowed provided it does not extend beyond or envelop the wrist.
  5. Balance weights, extension rods (stabilizers), and torque flight compensators are allowed provided they do not interfere with another competitor and that they do not touch anything but the crossbow.
  6. String attachments are allowed (separate string loops, archery type nock-sets, or center nocking points) so long as they are not made from hard solid materials.
  7. A kisser button may be mounted on the stock to check head position, and a liquid level may be used in the line of sight.
  8. An eye blinder may either be attached to the person or the crossbow, and tinted lenses (filters) may be a part of the crossbow sight, but must be capable of being checked at any time by a tournament official. Prescription spectacles, shooting spectacles and tinted glasses may NOT be fitted with micro-hole lenses or similar devices, nor marked in any way which could assist in aiming.
  9. Prod bracing strings (bastard strings) may be used. Slings and straps to steady the crossbow may NOT be used. Attachments are NOT allowed that are designed to guide the string along the track/stock, i.e. any form of sledge, bead or another attachment designed to control lateral string movement along the track.
    - 9.1 A track cover may be used to keep the track dry.
    - 9.2 All clothing shall be loose fitting and shall not give support to any part of the body. A track suit may be worn.
    - 9.3 A competitor may wear a maximum of two belts, one firm fitting to support clothing and a second loose fitting to support a quiver.
    - 9.4 Following items are not allowed: 1) Pistol Crossbows. 2) Electronic Equipment or Components while on the shooting line except as specifically otherwise listed. 3) Compound prods and prod assemblies with mechanical moving parts. 4) Attachments designed to guide the string along the track/stock. 5) Slings or Straps to steady the Crossbow. 6) Magnifying Sights. 7) Micro-hole lenses, similar devices, or marks in prescription eye wear. 8) Corrective Lenses as part of the Crossbow. 9) Vertical Crossbows (vertically mounted prod assemblies). 10) Special shooting gloves.
    - 9.5 The wearing of finger protection for spanning the Crossbow is permitted, but must be removed during the act of shooting.
  10. Crossbow bolts/arrows will be made from any safe material and of such design as not to cause unreasonable damage to target butts.
    - 10.1 Points shall have a minimum weight of 80 grains weight and be of either bullet or field point shape. The minimum total weight of the bolt shall be that recommended in the manufacturer's literature.
    - 10.2 Slip-over Points (point diameter larger than shaft diameter) are not permitted. Minimum bolt length 355 mm (12 inches). Maximum bolt length 610 mm (24 inches)



- 10.3 Bolts must be fitted with fletches. There is no restriction as to size or number. All bolts in a set shall be made to the same specifications and colors.
- 10.4 All bolts being shot in an end must have identical fletch sizes and colors with respect to each bolt.
11. There is no distinction between Recurve and compound, draw weight, or sighting systems.
12. All crossbows must be fitted with a mechanical trigger mechanism. Electrical, electronic, pneumatic, or hydraulic triggers are not permitted.
13. All track style crossbows must have a single operational bolt retainer which prevents the bolt from slipping forward when the crossbow is pointed toward the ground. Front mounted bolt retainers are not allowed. Crossbows fitted with "Over and Under tracks" are not permitted.
14. The prod (bow limbs) may be made of any material and may be of either one or two piece construction. In the case of metallic prods, the limbs shall be bound with a suitable tape to prevent personal injury in the case of failure. Prod assemblies may be either recurve or compound.
15. Target Crossbows may not exceed a draw weight of 95 pounds as published by the manufacturer. The maximum bolt/arrow speed shall be 300 fps plus or minus 3%.
16. Bow strings and servings must be made from non-metallic materials. Bow strings may be either connected directly to the limb tips or by means of axle pins (fixed or pivoting, metallic or synthetic).
17. Target Crossbows may not employ a magnification sight. The sighting system shall have no more nor less than two separate open or dioptre (aperture) sight units. The maximum distance from front sight to rear sight shall be 720mm measured between the sighting elements. The length of the front sight tube may not exceed 60mm, and the length of the rear sight unit may not exceed 150mm inclusive of antiglare tube and eye-shield (if fitted). Laser sights are not permitted. Lighted fiber optic sight pins are allowed in 2012-2013 on a trial basis. Rule is to be in effect starting 8 February 2012 and will be reviewed at the next Director's meeting.
18. Pistol Crossbows and Vertical Crossbows are NOT legal for competition.
19. Maximum diameter of arrow/bolt shaft is 27/64 inches (2712).
20. No crossbow will be cocked before the shooter is at the shooting stake/shooting line. If so equipped, the safety must then be placed in the ON position.
21. Range finding devices are not permitted in competitions.
22. Binoculars or spotting scopes may be used for spotting bolts.
23. Crossbow shooters may only span the crossbow when actually at the shooting line/peg.
24. The act of loading a bolt in a spanned crossbow must be performed with the crossbow directed at the ground immediately in front of the shooting line in the direction of the target. Loading a bolt in an elevated crossbow is not permitted.
25. Elevating a crossbow (with or without an arrow) above the target is not permitted.
26. If a spanned and loaded crossbow is lowered during the act of shooting, it must not be turned aside from the direction of the target. In such cases the safety catch, if so equipped, must be applied.
27. If a defect occurs in the crossbow during shooting, the crossbow shooter must stop shooting immediately.
28. At the signal to stop shooting, the crossbow must immediately be lowered, the arrow removed, and the string lowered (unlatched).
29. At no time should anyone pick up or handle another individual's crossbow/equipment without receiving permission to do so.
30. At no time should an individual leave the peg/shooting line with a spanned and/or loaded crossbow.
31. In the interest of personal safety it is strongly recommended that the fingers of the hand which loads the bolt be kept straight and pointing away from the path of the bowstring.

32. When loading a cocked crossbow, the shooter should always work above the string and never load the arrow by coming up from the bottom of the crossbow.
- I. Barebow Recurve
1. This style of shooting is for those who wish to compete with the Recurve or Longbow.
  2. Archers shooting Barebow Recurve style will use bow, arrows, strings, and accessories free from any sights, marks or blemishes that may be used as a sighting aid. No laminations, marks or blemishes on the face of the bow or in the sight window will be legal. Multi-colored bow risers, and trademarks located on the inside of the upper and lower limb or on the riser are permitted.
  3. An arrow rest and cushion plunger are permitted. There shall be no device, mechanical or otherwise, in the sight window except the arrow rest, arrow plate or plunger button.
  4. No clickers, draw checks or levels will be allowed.
  5. Weight(s) may be added to the lower part of the riser. All weights, regardless of shape, shall mount directly to the riser without rods, extensions, angular mounting connection or shock-absorbing devices.
  6. The unstrung bow complete with permitted accessories shall be capable of passing through a hole or ring with a 12.2 cm inside diameter +/- 0.5 mm.
  7. The string may be any color but must have a single color center serving. Brush buttons and string silencers, properly placed, may be used.
  8. One consistent nocking point only is permitted and may be held by one or two nock locators.
  9. Face walking and string walking are allowed.
  10. Gloves, tabs or fingers shall be the only legal releases. Marks or lines may be added directly to the tab and shall be uniform in size, shape and color. In the case of physical disability of the arms or hands, a chew strap may be used in place of fingers.
  11. All arrows used shall be identical in length, weight, diameter, fletching, and nocks, without regard to color, with allowance for wear and tear.
  12. No part of the arrow rest, cushion plunger or arrow plate may extend more than ¼ inch above the arrow in the sight window.
  13. Adult and Senior only.
- J. Longbow
1. A one or two piece straight ended bow constructed of wood or laminated wood with nonadjustable limbs. When the bow is braced, the string must not touch the limbs between the notches on the limb. The belly and the back of the bow may have carbon or fiberglass on them.
  2. The belly of the bow must be free of any marks or blemishes that can be used as sighting aids.
  3. The bow may contain a window and an arrow shelf. No mechanical or elevated rests may be used.
  4. Only one nicking point is allowed on the string which may be marked by one or two nocking point locators.
  5. The archer shall touch the arrow when nocked and drawing the arrow with the index finger against the nock. In case of physical disability of arms or hands, a chew strap may be used in place of fingers.
  6. One anchor point only is permitted.
  7. All arrows shall be identical in length, weight, diameter and fletching with allowance for wear and tear.
  8. No written memorandum will be allowed. Bow slings are permissible.
  9. Participation in this style may shoot any type of arrow.
  10. For all tournaments below the Sectional level, longbow archers may shoot at Youth stakes distances at the discretion of each state or club.
  11. Adult Male and Adult Female only.

## **ARTICLE III**

### **Divisions of Competition**

- A. Adult:  
Is provided for male and female archers.
- B. Junior:
1. Is provided for male and female archers in age groups of NFAA Young Adult (15 through 17 years of age), NFAA Youth (age 12 through 14), NFAA Cub (under 12 years of age).
    - 1.1 No archer may compete with or against archers of another junior division in any official National or Sectional championship tournament.
    - 1.2 Archers may elect to compete in any higher division, junior or adult, with written parental consent. An NFAA form in triplicate shall be provided for parental or guardian signature. One copy must be filed with NFAA Headquarters and one copy with the state association Secretary. Once this option has been exercised the archer may not revert back.
    - 1.3 The NFAA Cub, Youth and Young Adult archers are eligible for 20 pins and other awards in the same manner as adult division.
    - 1.4 Archer's date of birth must appear on his/her official membership card. Any Junior archer who has a birthday during a tournament will be allowed to complete that tournament in the age group that he/she started in.
    - 1.5 Recognized shooting styles for Junior Division archers shall be only the following styles:  
NFAA Young Adult, Youth, Cub:  
    Freestyle  
    Bowhunter Freestyle  
    Barebow  
    Freestyle Limited Recurve
  2. Cub:
    - 2.1 This classification is established for archers under 12 years of age.
    - 2.2 Cub shooting positions shall be marked with black stakes.
    - 2.3 The Cub's handicap must be established entirely on the Cub course and is not applicable to or from any other course.
    - 2.4 Cub official target units are shown in Appendix 3.
    - 2.5 The cub archers shall receive distinctive 50 point progressive merit patches. They shall be awarded on official 28 target rounds for one consecutive score of one 50-point increment between 50 and 550. Applications for cub merit patches shall be made to the state association secretary. Patches are furnished free of charge by the NFAA.
    - 2.6 Cub members of the NFAA are eligible for patches for a perfect 20 score on their distances shot – 10, 15, 18, 20, 25 and 30 yards. Patches would have designated distances on face. Application for patch should be submitted within 30 days by the eligible archer for the award, accompanied by the proper fee, to the State Secretary or Chairman.
    - 2.7 All Cubs shall shoot at 10 yards on all Indoor Rounds where adults shoot at 20 yards.
  3. Youth:
    - 3.1 The youth classification is established for archers ages 12 through 14.
    - 3.2 The handicap must be established entirely on the youth (50 yard maximum) course and is not applicable to or from any other course.
    - 3.3 Any and all official NFAA units or rounds shall not contain shots over 50 yards. Group 1 animal faces shall be shot from the closest walk-up animal stake only.
    - 3.4 Youth official target units are shown in Appendix 4.

The youth archers shall receive distinctive 50 point progressive merit patches. They shall be awarded on official 28 target rounds for one consecutive score of one 50-point increment between 50 and 550. Applications for youth merit patches shall be made to the state association secretary. Patches are furnished free of charge by the NFAA.

3.5 The shooting positions for youth archers shall be marked blue.

4. Young Adult:

4.1 The young adult classification is provided for archers 15 through 17 years of age and for those younger that have waived into this division.

4.2 The young adult must establish his handicap entirely on the 80 yard (adult length) course and it is not applicable to or from any other course.

C. Senior:

A Senior Division for archers ages 50 to 59, a Silver Senior Division for archers age 60 to 69, and a Master Senior Division for archers age 70 and older shall be provided at National and Sectional (Indoor and Outdoor) tournaments. Any archer may compete in only one Division; however, those age 50 to 59 may compete as either an Adult or Senior, those age 60 to 69 may compete as either an Adult, Senior or Silver Senior, and those age 70 and older may compete as either an Adult, Senior, Silver Senior or Master Senior.

D. Professional:

1. Membership:

1.1 Archers wishing to join the Professional Division must submit validated proof of minimum score proficiency as shot at an official NFAA Event requiring NFAA membership. The MQS shall be one of any of the following events: For indoor scores the allowed faces shall be the Blue Face 300 round, or Vegas style face NFAA 450 or 600 round. For outdoor scores, archers may use any one score from the following: 28 target Field or 28 target Hunter, or the NFAA 900 round, or NFAA Classic 600 round or the National Marked Yardage 3D. Only State, Sectional or National levels will be considered for an approved qualification score. Validated proof shall be an NFAA stamped score card or verified, posted, and official event results. The Archer must submit a score that may not be less than 96.5% of the winning score in the respective division they wish to join as averaged over the last 6 National events for that division.

1.1.1 All current pro's would not need to qualify unless their membership lapses for more than 60 days \*unless medically excused (injury, illness, military deployment, etc.) A returning Pro may use past champion's provisional (Member of US National team, NFAA National event winner) to avoid the qualification score if they lapsed. Provisional claim cannot be more than 5 years past.

1.2 Archers who are NFAA members in good standing shall be eligible for NFAA Professional Division membership, however, those archers under 18 shall be required to file written permission from his/her parent or guardian. Professional archers under 18 are required to hold an adult membership.

1.3 Professional archers from any other archery organization who wish to compete in the NFAA must pay NFAA membership, plus Pro dues and compete in a NFAA Professional Division or Championship Division, at all NFAA State, Sectional and National tournaments and any NFAA or NFAAF sanctioned tournaments.

1.4 Archers from any other archery organization that compete in a Semi-Pro division where the description of that division by the other archery organization is classified as nonprofessional, shall be recognized by the NFAA as nonprofessional archers. Archers that compete in a Professional Division or Professional Class in any other archery organization and have earned in excess of \$300 within the past 12 months must become a member of and compete in the NFAA Professional

- Division or Championship Division at any NFAA or NFAAF Sanctioned event at State, Sectional or National level.
- 1.5 Archers must provide an application listing a member of the Professional division in good standing as a mentor for professional membership. Their first year of membership will be a probationary period pending fulfillment of membership requirements.
  - 1.6 Upon payment of Pro dues, the NFAA Professional archer accepts that he/she must abide by the Code of Ethics and the Dress Code.
  - 1.7 The Professional Division shall have the following designation for Senior Professional levels: A Senior Division for archers ages 50 to 59, a Silver Senior Division for archers age 60 to 69, and a Master Senior Division for archers age 70 and older shall be provided at National and Sectional (Indoor and Outdoor) tournaments. Any archer may compete in only one Division; however, those age 50 to 59 may compete as either an Adult or Senior, those age 60 to 69 may compete as either an Adult, Senior or Silver Senior, and those age 70 and older may compete as either an Adult, Senior Silver Senior, or Master Senior. All Professional Divisions (Adult, Senior, Silver Senior, Master Senior) shall be recognized and Professional Division Champions at all NFAA Indoor and Outdoor National Tournaments shall be awarded Silver Bowls. The Professional Silver Senior and Master Senior Divisions shall not be prevented from seeking and receiving contingency support or guaranteed prize funds.
2. Code of Ethics:
- 2.1 The professional archer must conduct himself at all times in a manner that will bring respect and honor to himself, archery, and the NFAA.
  - 2.2 A professional archer shall make every effort to comply with all tournament rules and regulations both published and intended.
  - 2.3 A professional archer shall not allow his name or likeness to be used in such a manner as to misrepresent any product, nor shall he make claims that tend to misrepresent any product and mislead purchasers as to the actual value or quality of such products.
  - 2.4 A professional archer shall make every effort to protect the amateur standing of amateur archers.
  - 2.5 NFAA Pro Executive Committee will consider the disciplinary action taken for a violation of the Code of Ethics by another Professional organization.
  - 2.6 The Pro Executive committee may investigate and act on any allegations pertaining to any professional archer as they feel necessary.
3. Dress Code:
- 3.1 General.  
The professional archer shall present himself in clean, neat attire, acceptable to public view.
  - 3.2 Not acceptable.  
Jeans or Denim of any color are not allowed during any competition. Professional archers shall wear slacks, shorts or skirts. Shorts and skirts may not be shorter than the archer's fingertips when rested at their side. The waist of the attire must not fall below the waistline. Shirts/tops shall be of a collared design. Archers may also wear uniforms provided by sponsors. Shirts must have a standard collar, Henley collar or mock collar. T-shirts, swimming suits, cut-offs and obscene or vulgar slogans or pictures on clothing are prohibited.
    - 3.2.1 Open toed shoes/flip flops/sandals are unacceptable while competing.
    - 3.2.2 Dress codes are not enforced during practice.
    - 3.2.3 Dress codes shall be enforced for all State, Sectional, and National events, and those events sanctioned by the NFAA.

- 3.2.4 In the event of inclement weather, over wear (rain gear, cold gear) is permissible and will not violate dress code as long as it holds within the spirit of the rule.
  - 3.2.5 Violations to the dress code will be enforced by the Pro Executive Committee (PEC) and may result in a reprimand, probation, suspension, or as outlined in this article, Section 4. Violations can be brought to the Pro Chair or Pro Rep or a member of the PEC by the Tournament Chair or any competitor.
  - 3.2.6 Archers removed from competition will not be eligible for refunds or entry fees in whole or part.
  - 3.2.7 Archers removed from competition for dress code may not makeup arrows missed for score if they return to competition after meeting dress code.
  - 3.2.8 Archers may petition the PEC for exemption only in cases of extreme hardship (i.e. lost/stolen luggage etc.). Petition must be filed not less than 6 hours prior to competition start. In these cases the decision of the PEC is final.
  - 3.2.9 At State and Sectional and sanctioned events the dress code shall be enforced by the State Pro Rep or Sectional Pro Rep.
4. Disciplinary Action:
- 4.1 Disciplinary action may be taken against any professional member upon proof of violation of the Code of Ethics. Disciplinary action will be determined by the Code of Ethics committee and may result in a reprimand, probation, suspension, disqualification from a tournament in progress, or expulsion from the Professional Division. The following items are subject to immediate disqualification from a tournament in progress and may be subject to further disciplinary action.
    - 4.1.1 Obvious witnessed intoxication while shooting.
    - 4.1.2 Verified cheating.
    - 4.1.3 Blatant violation of code of ethics or dress code.
  - 4.2 The Pro Executive Committee will have the ability to enforce the code of ethics with possible disciplinary action. Disciplinary action may consist of a written warning, fine or suspension.
  - 4.3 A Pro Division member having paid annual dues shall not alter his competitive style for that calendar year, unless a physician's statement is furnished documenting the injury or disability of the archer in which case the alternate shooting style may be shot.
  - 4.4 Should a Professional archer wish to resign during the calendar year, he/she may do so in writing to NFAA Headquarters. When a Professional archer wishes to return to a non-professional division, he/she may do so with no delay provided he/she has not earned in excess of \$300 at NFAA sanctioned shoots within the past 12 months.
5. Tournament Sanction:
- 5.1 Tournament sponsors wishing sanction of their tournament by this division shall furnish the NFAA Executive Secretary a letter of guarantee verifying an obligation to make payment of the advertised purse. Sanction fee would be \$50.00; \$40.00 of which will be added to the Pro Division tournament guarantee fund and \$10.00 to the NFAA treasury. This division may furnish a consultant for advisory assistance for said sanction fee if requested.
  - 5.2 Must be negotiated with NFAA 3 months prior to shoot date.
  - 5.3 Upon sanction, a notice will be sent to the Pro Division membership.
  - 5.4 The decision to negotiate a "sanction tournament" will be at the discretion of the Executive Secretary, the Pro Division Chairman and the NFAA President.

6. Equipment Rules:
  - 6.1 Participants in tournaments sanctioned by the Pro Division will abide by the equipment rules of the NFAA.
7. Tournament Competition:
  - 7.1 Members of this division will not compete for awards other than money and/or merchandise in tournaments below the state level. At the state championship they will be required to compete in the Pro Division if one is available. However, members are encouraged to support all types of tournaments by purchasing a scorecard for the regular registration fee.
    - 7.1.1 A NFAA Pro may compete for trophy awards at the state level with the adult shooters, providing there is no pro division recognized at that tournament.
    - 7.1.2 The NFAA Pro Division recognizes only the Freestyle style of shooting.
    - 7.1.3 An NFAA Professional member shall compete in a Professional or Championship division at any NFAA sanctioned or NFAAF, State Sectional, or National event.
8. Pro Chairman:
  - 8.1 The Chairman of the Pro Division will be nominated by the Pro Division members present at Indoor Nationals. The chairman shall be elected in odd numbered years by a mail ballot of all NFAA Pro members. His/her term of office will be two years beginning July 1 of the election year. The mail ballots will be sent by NFAA Headquarters to the Pro members within 30 days of the nominations and sent back to NFAA Headquarters by return mail within 60 days of the nominations. All ballots not returned will be treated as abstentions.
  - 8.2 The Chairman of the Pro Division may be removed for cause, from office by a majority vote of the NFAA Council.
  - 8.3 The Pro Chairman will attend the Bi-annual Board of Directors meeting where he/she serves as chairman of the Pro Agenda Committee. His/her travel will be paid by the Pro Division.
  - 8.4 Duties:
    - 8.4.1 To chair and conduct a Pro Division meeting at the Indoor and Outdoor National Tournament.
    - 8.4.2 To coordinate the Pro Tournament schedule.
    - 8.4.3 To enforce the professional code of dress and ethics.
    - 8.4.4 Assist the tournament chairman at the National Championship Tournaments on Pro Division matters.
    - 8.4.5 Compute awards for the National Championships and provide a list of pro winners to the tournament chairman and forward one to NFAA Headquarters.
    - 8.4.6 Assign a five person Pro Executive committee. The Committee will consist of five appointed members from the Professional Division and the Pro chairman. They shall be one Pro Male, one Pro Female, one Pro Senior, one Pro Silver Senior and one Pro Master Senior. The Pro Chairman will be a non-voting member of the committee, but will appoint the other members..
9. Sectional Representative:
  - 9.1 The Sectional Pro Representative will be nominated and elected by the sectional pros at the Indoor or Outdoor Sectional Championship. The term of office shall be two (2) years. The Sectional Pro Representative will serve as Pro Advisor to the Councilman, and shall be a voting member at the Sectional Board meetings.
    - 9.1.1 The Sectional Councilman will conduct the election at the Indoor or Outdoor Sectional Championship. Nominations will be made in writing to the Sectional Councilman no later than one (1) week prior to the Sectional

- Indoor or Outdoor Championship. The Councilman may also take further nominations from the Pros present.
- 9.1.2 The election of the Sectional Pro Representative will be the first order of business at the Indoor or Outdoor Sectional Championship. Immediately following the election, the elected Sectional Pro Representative will chair and conduct that Pro meeting.
  - 9.1.3 The Sectional Pro representative may appoint an alternate to serve as Pro Advisor to the Sectional councilman at multiple sites for Sectional Indoor/Outdoor championships. The appointee must be a Pro member.
  - 9.1.4 If an alternate Pro representative is appointed for multiple sectional sites, he/she will report minutes or forward any items that pertain to the Professional Division to the Sectional Pro representative.
  - 9.1.5 The Sectional Professional Representative will act as a liaison between the Pro Chairman and the State Professional Representatives and individual Professional Division members.
- 9.2 Duties:
- 9.2.1 To chair and conduct a Pro Meeting at the Sectional Indoor and Outdoor Tournament.
  - 9.2.2 To present, in writing, to the Sectional Councilman all proposals, Pro agenda items, etc., for consideration by the Sectional Council at their annual Sectional meeting. Such proposals/agenda items to be in the Councilman's hands no later than three (3) weeks prior to the annual sectional meeting.
  - 9.2.3 To enforce the professional code of dress and ethics in the section.
  - 9.2.4 Assist the tournament chairman at the sectional championship on Pro Division matters as requested.
  - 9.2.5 Compute awards for the sectional pros.
    - 9.2.5.1 Give list of pro winners to Sectional Councilman to be forwarded to NFAA Headquarters.
    - 9.2.5.2 The sectional pro purse shall consist of \$50.00 pro purse fee plus \$5.00 forwarded from headquarters for each pro member of that section.
  - 9.2.6 Act as mediator for pro division problems in his section working closely with the Sectional Councilman.
  - 9.2.7 Should a problem arise, the sectional pro representative will contact the Sectional Councilman and the Pro Chairperson, who in turn will contact the NFAA Director of the State involved in order to resolve the problem.
10. Purse Allocation:
- 10.1 The prize fund will be divided by each style and division as determined by its membership. The prize fund will be distributed at Sectional tournaments according to the number of members by style and division in that section. The prize fund at National tournaments will be distributed according to the number of members by style and division in the Professional Division.
  - 10.2 If no competitors from a style/division attend a Sectional or National tournament, the prize fund from their membership will be distributed proportionately based on attendance at that tournament.



11. Purse Distribution

11.1 Shooters Place Distribution % Table:

Shooters	Place	Distribution %
1 - 3	1	100%
4 - 6	2	65-35%
7 - 9	3	50-30-20%
10 - 12	4	45.5-26-17-11.5%
13 - 15	5	41.9-23-15.5-10.7-8.9%
16 - 18	6	38.3-20.8-14.7-10.2-8.7-7.3%
19 - 21	7	35.3-19.2-14.1-9.9-8.5-7-6%
22 - 24	8	32.7-18.1-13.5-9.6-8.3-6.8-5.8-5.2%
25 - 27	9	30.6-17.1-13-9.3-8.1-6.7-5.7-5-4.5%
28 - 30	10	28.7-16.1-12.5-9.1-8-6.6-5.6-5-4.4-4%
31 - 33	11	27.1-15.1-12-8.9-7.9-6.5-5.5-5-4.4-4-3.6%
34 - 36	12	25.6-14.2-11.5-8.8-7.8-6.5-5.4-4.9-4.4-4-3.6-3.3%
37 - 39	13	24.2-13.4-11-8.7-7.7-6.4-5.4-4.9-4.4-4-3.6-3.3-3%
40 - 42	14	22.9-12.7-10.7-8.6-7.6-6.4-5.4-4.9-4.4-4-3.6-3.2-2.9-2.7%
43 - 45	15	21.8-12.1-10.3-8.5-7.5-6.3-5.4-4.9-4.4-4-3.6-3.2-2.9-2.6-2.5%
46 - 48	16	20.9-11.7-10-8.4-7.4-6.3-5.4-4.9-4.4-3.9-3.5-3.1-2.8-2.6-2.4-2.3%
49 - 51	17	20-11.4-9.7-8.3-7.3-6.2-5.3-4.8-4.3-3.9-3.5-3.1-2.8-2.6-2.4-2.3-2.1%
52 - 54	18	19.5-11-9.4-8.2-7.2-6.2-5.3-4.8-4.3-3.9-3.5-3.1-2.7-2.5-2.3-2.2-2-1.9%
55 - 57	19	19-10.8-9.2-8.1-7.1-6.1-5.2-4.7-4.2-3.8-3.4-3-2.7-2.5-2.3-2.2-2-1.9-1.8%
58 - 60	20	18.4-10.5-8.9-7.9-6.9-6.1-5.2-4.7-4.2-3.8-3.4-3-2.7-2.5-2.3-2.1-2-1.9-1.8-1.7%
61 - 63	21	18-10.3-8.7-7.8-6.9-6.1-5.2-4.6-4.2-3.7-3.3-2.9-2.6-2.4-2.2-2.1-2-1.9-1.8-1.7-1.6%
64 - 66	22	17.6-10.1-8.5-7.7-6.8-6-5.2-4.5-4.1-3.5-3-2.8-2.6-2.4-2.3-2.2-2.1-2-1.8-1.7-1.6-1.5%
67 - 69	23	17.2-9.9-8.3-7.6-6.7-5.9-5-4.4-4-3.3-2.9-2.7-2.6-2.4-2.3-2.2-2.1-2-1.9-1.8-1.7-1.6-1.5%
70 - 72	24	16.8-9.8-8.2-7.5-6.6-5.8-4.9-4.3-3.9-3.1-2.9-2.7-2.6-2.4-2.3-2.2-2.1-2-1.9-1.8-1.7-1.6-1.5-1.4%
73 - 75	25	16.5-9.7-8.1-7.4-6.5-5.7-4.8-4.2-3.8-3-2.8-2.7-2.6-2.4-2.3-2.2-2.1-2-1.9-1.8-1.7-1.6-1.5-1.4-1.3%
76 - 78	26	16.2-9.5-7.9-7.2-6.3-5.5-4.6-4-3.1-2.9-2.8-2.7-2.6-2.5-2.4-2.3-2.2-2.1-2-1.9-1.8-1.7-1.6-1.5-1.4-1.3%
79 - 81	27	16-9.4-7.7-7-6.1-5.3-4.4-3.8-3-3-2.8-2.7-2.6-2.5-2.4-2.3-2.2-2.1-2-1.9-1.8-1.7-1.6-1.5-1.4-1.3-1.2%
82 - 84	28	15.9-9.3-7.6-6.9-6-5.1-4.2-3.7-3-2.3-2.8-2.7-2.6-2.5-2.4-2.3-2.2-2.1-2-1.9-1.8-1.7-1.6-1.5-1.4-1.3-1.2-1.1%

11.2 The Pro Chairman, NFAA President and NFAA Vice President shall determine the distribution of all outside prize money.

12. Guarantee Fund/Pro Bonus:

12.1 Funds are accrued in the NFAA Professional Division guarantee fund to stimulate professional archery competition.

12.2 Tournament sponsors wishing support from this fund shall contact the NFAA Councilman, Pro Chairman or NFAA Executive Secretary at least 6 months prior to the event.

12.3 The fund will guarantee for prize money at a sanctioned event in the form of a NFAA Pro Bonus. The amount of this bonus will be based on past performance by established tournaments or will be set by the Council on all new tournaments. The Pro Bonus at these tournaments will be for NFAA Pros only.

12.4 A minimum purse of \$6000 for the National Indoor Tournament and a minimum of \$6000 for the National Outdoor Tournament, will be guaranteed by the NFAA Pro Division and funded from the Pro Guarantee fund only.

13. Tournament Default:  
In the event of a default of a sanctioned event, the fund shall guarantee payment of NFAA Pro Bonus Money only.
14. Professional Dues:  
The NFAA Professional fees being \$125.00 per member for the calendar year. The following guidelines will be used in disbursing membership dues:
 

National Indoor Championship Prize Fund	\$25.00
National Field Championship Prize Fund	27.50
Sectional Indoor Championship Prize Fund	10.00
Sectional Field Championship Prize Fund	10.00
Pro Point Prize Fund	20.00
Tournament Guarantee Fund	2.50
NFAA Administration Cost	5.00
General Expense Fund	20.00
Professional Scholarship Fund	5.00
Total	\$125.00

## ARTICLE IV

### Tournaments

#### A. National Tournaments

1. A National Outdoor Championship Tournament, National Indoor Championship Tournament, and a National Marked 3-D Championship Tournament shall be provided annually, at a time and place to be determined by a 2/3-majority vote of the NFAA Council. A National Unmarked 3-D Championship Tournament may also be provided annually, at a time and place to be determined by a 2/3 majority vote of the NFAA Council. An annual National Outdoor Target Championship to be held at NFAA Headquarters with two rounds. Day 1 – NFAA 900 Target Round, Day 2 – NFAA Classic 600 Target Round.
  - 1.1 The selected host and the NFAA Director of the host’s state will be notified of acceptance of the bid within 30 days of the Council’s decision. This notification will include a contract sent to the accepted host. The contract, signed by the host, must be returned to NFAA Headquarters within 60 days. If no contract is received within 60 days, the NFAA Council will consider other bids for the tournament.
2. At all National tournaments, the opening ceremonies shall, when possible, begin with the singing or playing of the National anthem and the salute to the flag.
3. The NFAA Council shall also establish entry fees, awards, and any or all other conditions.
  - 3.1 Awards for Indoor and Outdoor Nationals shall be silver bowls for championships of all classes, styles and divisions regardless of participation numbers.
4. At the National Outdoor Championship Tournament all flight awards will be presented at the tournament site immediately upon completion and tabulation of scores.
5. At the National Outdoor Championship tournament the Championship Field Round target and the Championship Hunter Round target will be used.
6. All unused targets ordered by hosting clubs for National tournaments must be purchased by the host club at cost price, or returned postage paid to NFAA Headquarters. The Chairman’s report for National tournaments shall include an accounting of targets ordered, targets used, and targets unused.
7. Protests arising at this tournament will be discussed and ruled upon by a committee consisting of the Tournament Director, NFAA President, One (1) councilman, and two (2) Directors, available at the tournament. The Councilman and Directors will be chosen at random by the Tournament Director. A list of the members of this committee shall be posted in public view.

8. Any individual wishing to file a protest against another archer must inform that individual in the presence of a tournament official that a protest will be filed. Both individuals have the right to be present at the meeting of the protest committee. All protests must be submitted within one hour after the end of the day's shooting or, if indoors, the line on which the alleged offense occurred. A \$50.00 National and \$25.00 Sectional protest fee must accompany the written protest at National and Sectional tournaments, which will be refunded if the protest is upheld. No protest that is filed after the time limit will be considered or acted on.
  9. A competitor not following the established tournament rules, improper conduct or creating a safety hazard may be disqualified immediately.
    - 9.1 A competitor using equipment not deemed legal for NFAA competition may be disqualified after review by the committee with the archer in question present, after that days shooting is complete.
    - 9.2 At National-level tournaments, archers who shoot at other than their scheduled time will not be eligible for awards.
    - 9.3 For tournaments without a timer, a competitor who is not present at their assigned target before their group has scored all the arrows of that target will take a no score for that target. Exceptions will be for equipment failure experienced during practice that is reported to and approved by the tournament chairman or circumstances caused by tournament officials. It is the responsibility of the competitor to ensure they are at their assigned target on time or to seek the assistance of the tournament director to help them arrive at their target on time.
  10. The Host club must be covered by NFAA insurance or a policy of equal or greater coverage.
  11. A range inspection will be conducted by the NFAA Director of the host state. If any change is required, then the host club shall be consulted.
  12. The Host club shall provide a practice range which consists of a single shooting line with the practice butts angled or in a "V" shape.
  13. The Professional Division shall only shoot for score the last 3 days of the event, with the animal round to be held the final day of the event.
  14. The NFAA Indoor Round will be shot at the NFAA National Indoor.
- B. Sectional Tournaments:
1. A Sectional Outdoor championship tournament shall be provided annually, also a sectional 3-D championship tournament may be provided annually in each section, with the time, place and rounds to be determined by members of the Board of Directors within the section. All bids submitted for Sectional tournaments will be sent to the host state Director at least 15 days before contracts are signed, and copies must be available at NFAA Headquarters for inspection.
  2. Sectional Indoor championship tournament may be provided annually by the same procedure.
  3. All Sectional tournament shall be hosted by a current NFAA chartered Club or Shop. A Club or Shop can host a maximum of one (1) sectional location for each event.
  4. State Associations are not eligible to host a NFAA sectional event or location.
  5. All Sectional tournaments shall be hosted on a current NFAA inspected range.
  6. At all Sectional tournaments, the opening ceremonies shall, when possible, begin with the singing or playing of the National anthem and the salute to the flag.
  7. Sectional tournaments shall consist of official NFAA rounds. If Field and Hunter rounds are shot, the Championship Field Round target and the Championship Hunter Round target will be used.
  8. The entry fees, awards, and any or all other conditions for these tournaments, except late registration, shall be established by NFAA.

- 8.1 Late registration will be at the discretion of the NFAA Directors of that section. At sectional tournaments, where late fees have been established, clubs hosting Sectional tournaments may retain the full value of the late registration fee.
  - 8.2 Host club may keep up to fifty (50) percent of registration fee for archers who do not show.
  9. An archer may choose to shoot in several Indoor and Outdoor Sectional tournaments of his choice, but only may compete for awards in that section of his residence.
  10. A protest committee shall be assigned at each sectional site, consisting of three NFAA members, one of which shall be a Councilman, or Director or Director designee.
  11. In the case of multiple sectional sites, the ruling shall be forwarded to the Sectional Councilman if not present at the site.
  12. The Host club must be covered by NFAA insurance or a policy of equal or greater coverage.
- C. State Association Approved Tournaments:  
The NFAA affiliated states may provide any number of outdoor and indoor tournaments, up to and including the state championship level.
- D. Tournament Officials:
1. Tournament Chairman:  
At all NFAA sanctioned tournaments a Tournament Chairman shall be appointed and it shall be his duty to:
    - 1.1 See that the requirements of NFAA sanction are fulfilled, through the NFAA Director, NFAA Councilman, or designated NFAA administrator.
    - 1.2 See that a target captain and two scorers are appointed for each group.
    - 1.3 Designate the order in which groups are to shoot or assign the stakes from which each group is to start, depending on which system is used.
    - 1.4 Have the option to set a time limit, either by target or by round, when such tournament must be completed.
    - 1.5 See Article IV, Section A, Paragraph 8 for protest filing procedures.
    - 1.6 Inspect or designate an official of the tournament to inspect any Barebow, Barebow Recurve, and Bowhunter Freestyle equipment at any time during an NFAA sanctioned event that they feel necessary.
    - 1.7 Disqualify any competitor not following the established tournament rules, improper conduct or using equipment not deemed legal for NFAA competition.
    - 1.8 Appoint Line Judges as deemed necessary. Judgments made by Line Judges shall be final.
    - 1.9 Assure that an official chronograph and official bow scale, defined in Article I, Section A, Paragraphs 12 and 13, respectively, are available at the tournament site. The official tournament bow scale and chronograph shall be used for enforcement of the peak draw weight and arrow speed limits specified in Article II, Section A, Paragraph 3. These devices shall be made available, without charge, to any registered competitor for the duration of the tournament. At the discretion of the Tournament Chairman, the requirement for these devices may be waived at state and club events.
  2. Target Captain:  
At all NFAA sanctioned tournaments a Target Captain shall be appointed by each group and it shall be his/her duty to:
    - 2.1 Report any archer in his/her group violating the rules set forth in the NFAA By-laws.
    - 2.2 Rule on all questions on his/her target subject to appeal to a Line Judge.
    - 2.3 Acknowledge equipment failure of any archer in his/her group.
- E. Official Rounds:
1. The NFAA recognizes as official those rounds described in By-Laws Article VI.

NFAA

2019/2020/2021

2. NFAA Sanctioned Round: The NFAA shall grant official sanction to any of the above NFAA Official Rounds when said round is conducted by the NFAA or through its recognized state affiliate; when said round is held on an NFAA approved facility using official NFAA targets; and when said round conforms to By-laws Articles I, IV, and VI.
  3. NFAA Handicap Round: The NFAA recognizes as official for recording on the NFAA handicap card any 28 target Field Round or 28 target Hunter Round or 14/14 combination of same.
- F. Standard Facing for Championship Field Ranges:
1. 20cm Faces: 16 faces – 4 across and 4 up/down
  2. 35cm Faces: 4 faces – 2 across and 2 up/down
  3. 50cm Faces: A minimum of 1 face per target. A minimum 2 (side by side) faces per target at 35 and 36 yards.
  4. 65cm Faces: 1 face per target.
  5. Animal Group 1 and 2: 1 face per target with bonus spots.
  6. Animal Group 3: 2 of the same face per target with bonus spots.
  7. Animal Group 4: 4 of the same faces per target with bonus spots.
  8. See Appendix 4 for target face size/group needed.
- G. Flighting for National and Sectional Tournaments:  
The method of determining flights at National and Sectional tournaments shall be printed in the contracts and on the registration forms.
1. The NFAA flight system will be used at National and Sectional tournaments.
    - 1.1 Flights will be provided in each division and shooting style as follows: 1 to 15 shooters, one flight; 16 to 30 shooters, two flights; 31 to 45 shooters, three flights; 46 to 60 shooters, four flights; 61 or more shooters, five flights; and so forth. (See Appendix 1)
    - 1.2 An optional alternate flight system for tournaments with 200 shooters or less (see Appendix 1).
  2. For Outdoor Nationals archers will be arranged in flights according to their final score, whether it is a 3 day, 5 day or 3/5 day National format. For Outdoor Sectionals archers will be arranged in flights according to their final score and X count.
  3. For Indoor Nationals and Sectionals, archers shall be arranged in flights according to their final score and may include X count.
  4. Equal division of the number of archers in each flight will be maintained, except that the last flight will record a lesser number (for two flights) or an unequal number (for three or more flights) as may be required. When two or more tie scores appear at the flight break, the archers tied will be placed at the bottom of the upper flight, without disturbing the remaining flights as originally established.
  5. The flight system does not apply to the Professional Division.
- H. National and Sectional Divisions of Competition:
1. Divisions of competition and styles of shooting to be recognized at National and Sectional tournaments (see Appendix 4 for standard nomenclature):  
Professional, Adult, Senior, Silver Senior, Master Senior, NFAA Junior (Cub, Youth and Young Adult).
  2. Styles of shooting to be recognized shall be

**PRO or PRO SENIOR, SILVER SENIOR, MASTER SENIOR**  
Freestyle  
**YOUNG ADULT, YOUTH, CUB**  
Freestyle  
Bowhunter Freestyle  
Barebow  
Freestyle Limited Recurve

**ADULT, SENIOR, SILVER SENIOR, MASTER SENIOR**  
Freestyle, Freestyle Limited  
Barebow, Bowhunter Freestyle  
Traditional, Freestyle Limited Recurve  
Crossbow (Adult only)  
Barebow Recurve (Adult and Senior only)  
Longbow (Adult only)

3. A Crossbow Division may be provided at National level NFAA and NFAA-owned Indoor events – Adult divisions only. Shooting Rules: (See Article II, Section L.)
  4. At all Sectional and National Tournaments, a Guest Class, with no awards provided, will be provided for any Adult, Cub, Youth, Young Adult archer, not a member of NFAA who provides proof of membership in any other IFAA Affiliated National Association. All professionals must be NFAA Professional Members.
- I. Outdoor Shooting Rules:
1. Archers shoot in groups of not less than 3 or more than 6; 4 to be the preferred number. No group of less than 3 shall turn in an official score.
  2. By mutual agreement the foursome shall decide which two shall shoot from which side of the shooting stake.
    - 2.1 On targets 1 and 15 the archers shall change their order of shooting. Those who shot first shall shoot last and those who shot last shall shoot first. Those archers who had been shooting from the right side shall shoot from the left side and those who had been shooting from the left side shall shoot from the right side. If you shot bottom targets you will switch to the top and if you shot top you will switch to the bottom.
    - 2.2 The archer must straddle an imaginary shooting line, which is marked by the distance stake and parallel to the target face, while shooting the required arrows. No archer may advance to the target until all arrows have been shot by the group, except for yardages that are 32 yards or less and when there are more than four archers in a group on 35 cm. targets or smaller. Archers may elect to shoot at a clean target after all previous shooters in the group have shot and had their arrows scored.
  3. When shooting at butts with multiple target faces, the first 2 shooters will shoot the bottom target faces. When target faces are placed side by side (i.e. 50 cm.) the archer on the left will shoot the left target face; the archer on the right will shoot the right target face. On fan positions the same applies, except each archer will shoot two arrows at each target. Any arrow striking the wrong target shall be considered a miss and may not be re-shot.
    - 3.1 20 cm. Targets will be shot vertically. The shooter may elect to shoot top to bottom in order or bottom to top in order.
    - 3.2 20 cm. Targets. Each archer must choose one column of four target faces on his or her side of the shooting stakes. An archer must not shoot at a column that has already been shot by another archer.
  4. One group shall not hold up the following groups while looking for lost arrows. Enough arrows shall be carried so that each archer may continue shooting, and return later to find missing arrows. If one or more open targets in front and two or more groups back up, the delaying group shall allow backed up groups to shoot through.
  5. No archer may practice on any shot of a course to be used for tournament shooting later the same day. Special practice targets should be supplied. The first target of each round may be used as practice at the discretion of the tournament chairman. The maximum number of arrows allowable will be determined by the round being shot.
  6. An archer leaving the range for any reason other than an emergency situation or an equipment failure may be privileged to return to his/her group and complete the unfinished round or subsequent rounds. He/she will not be privileged to make up any arrows missed in the interim. If deemed an emergency, or an equipment failure, then in the presence of the tournament official he/she will be allowed to shoot missed targets.
  7. In the case of an equipment failure the archer may have the needed time, as granted by a tournament official, for equipment repair or replacement and may shoot arrows required to assure that the proper sight settings are accurate, within the 45 minute maximum time limit. Then, in the presence of the tournament official, be allowed to shoot the targets missed. This occurrence of repair or replacement may not happen more than once in any tournament day.

8. No archer may shoot (compete) in any one tournament more than one time unless advertised as a multiple registration tournament.
  9. In case of inclement weather, the tournament shall continue unless the range has become unsafe as determined by the Tournament Chairman or appointed Tournament Officials. Unsafe conditions shall be called if lightning is within the vicinity of the tournament facility. A pre-determined signal will be sounded to halt competition. An archer leaving the range without approval shall be subject to the requirements of Article IV. H. 6.
  10. Tripods for spotting scopes and tripods for binoculars shall not be permitted during outdoor competition at National or Sectional Tournaments.
  11. At all NFAA outdoor sanctioned tournaments, a (3) let down rule will be applied per arrow. A fourth let down will be counted as a shot arrow.
  12. The targets at all official NFAA outdoor rounds must be shot in numerical sequence. Archers are not allowed to intentionally skip a target(s) and return later to shoot the skipped target(s). Any intentionally skipped target(s) may not be re-shot and shall be scored as zero.
  13. A disabled archer shooting from a chair or wheelchair will place the chair legs or wheels straddling the distance marker or shooting line.
- J. Scoring:
1. All arrows must remain in the target butt until all arrows are scored. In all NFAA Rounds, an arrow shaft need only touch the line to be counted in the area of next higher value. They may then be withdrawn.
  2. The status of all arrows shall be determined and recorded before touching or withdrawing any arrows from the target butt.
  3. The target group, which generally consists of four archers, will select a score caller, two scorekeepers, and a target captain. The target captain shall be the judge of disputed arrows on his/her target. In the case of a group of three archers, a scorekeeper will also be the target captain. When a captain's arrows are in question, the majority of the group shall decide the status of the target captain's arrows. When a line judge has been appointed by the tournament director and an appeal is made to the line judge, the line judge's call will be final.
  4. Off-ground skids or glances into the target shall not be counted. Arrows striking objects over the shooting lane may be re-shot.
  5. Arrows passing through the face, but still in the butt, may be pushed back and scored as hits in the circles through which they went. This does not mean that they may be withdrawn and then stuck back through the target.
  6. Arrows believed to have passed through the target may be re-shot with marked arrows, which will not be scored if the doubtful arrows are found in the butt.
  7. Unsuspected pass-throughs: in any instance where arrows are found to have obviously passed through in such a manner they cannot be properly scored and their location and the condition of the butt convince the target captain that the arrows did indeed pass through a scoring area, the archer may return and re-shoot from the obvious distances or furthest distances involved.
  8. Witnessed bounce outs, believed to have hit the target in the scoring area, will be re-shot.
  9. An arrow embedded in the nock of another arrow (generally known as a Robinhood) will be scored the same as the arrow it skewered.
  10. All shoot offs for ties will take place at the practice range, on the longest yardage commensurate with age. Field or Hunter faces may be used at the discretion of the tournament director. Score, Spots & X's will be used. After one end, if still tied, repeat the end..
  11. An archer who shoots arrows at the target in excess of the prescribed number shall lose the arrow or arrows of higher value in all NFAA rounds. A penalty of one point will be assessed for each arrow shot over the prescribed numbers.

12. Any arrow(s) shot from other than a pre-designated position in the designated order shall be scored as "0" (zero).
  13. A dropped arrow is one which falls while being transferred from the quiver to be nocked on the string, or in preparation for a shot; or which falls from the string during a controlled letdown. (A dropped arrow may be re-shot).
  14. Scorecards must be signed as correct by scorekeeper and archer. Once submitted a scorecard cannot be retrieved for purposes of changing totals. An archer who has signed and submitted a scorecard as correct which has incorrect total(s) may be disqualified.
  15. Occurrence of equipment repair or replacement may not happen more than once in any tournament day.
- K. Awards:
1. At Sectional and National Tournaments, awards shall be given for 1<sup>st</sup>, 2<sup>nd</sup>, and 3<sup>rd</sup> in all divisions and styles. At state level and below the unit system may be used. The unit rule is defined as follows: One award for one through three archers; two awards for four through six archers; three awards for seven or more archers in a class.
  2. At National and Sectional tournaments, archers must complete the prescribed number of targets for the tournament to be eligible for an award. No award can be won with an incomplete score, except in the case of emergency.
  3. Archers awarded the temporary custody of prizes and trophies shall be responsible for their return in good order to the Executive Secretary at least two weeks before the next annual tournament.
  4. Ties for 1<sup>st</sup>, in Championship Flight at any National Tournament will be broken by a shoot off. All other ties will receive duplicate awards. Ties for 1<sup>st</sup>, 2<sup>nd</sup>, and 3<sup>rd</sup> in the professional division will be broken by a shoot off.
  5. At Sectional and National Outdoor Tournaments, "X" count may be kept and used to break ties.
- L. Use of Handicaps:
1. All handicaps as provided under "Handicapping" shall be recognized.
  2. The NFAA shall issue official NFAA handicap cards.

## **ARTICLE V**

### **The NFAA Handicap**

- A. General:
1. Essence of the NFAA Handicap System. Handicapping is the great equalizer among sportsmen of differing abilities. The National Field Archery Association presents this archery handicap system in the conviction that, when faithfully operated, it results in equitable handicaps no matter where archers live and play. The handicap system does not exclude the use of both handicap and/or scratch shooting in the same tournament. The national system of handicapping must meet two main requirements, which are:
    - 1.1 Simple enough for operation by the small, modestly equipped club as well as the largest state association.
    - 1.2 Thorough enough to produce fair, uniform handicapping the country over.
  2. Handicap Name:  
The handicap produced by this system is termed an "NFAA Handicap". Such a handicap should be identified on a card or elsewhere as "NFAA Handicap" or as "Computed under NFAA Handicap System".
  3. Purposes:
    - 3.1 Provide fair handicaps for all archers, regardless of ability.
    - 3.2 Reflect the archer's inherent ability as well as his recent scoring trends.
    - 3.3 Automatically adjust his handicap down or up as his game changes.
    - 3.4 Disregard freak low scores that bear little relation to the archer's normal ability.



- 3.5 Make it difficult for the archer to obtain an unfairly large handicap increase at any revision period.
  - 3.6 Make a handicap continuous from one shooting season to the next without need of adjustment.
  - 3.7 Encourage the archer to keep his game near its peak.
  - 3.8 Establish handicaps useful for all archers, from championship eligibility to informal games.
  - 3.9 Make handicap work as easy as possible for the handicapper.
- B. Establishing a Handicap:
1. An archer's handicap shall be computed on the official NFAA field and/or hunter round, and shall be computed by the following table:  
Best score of 2, scores 80% of average differential.  
2 best scores of 5, scores 80% of average differential.  
3 best scores of last 7, scores 80% of average differential.  
The first and second methods shall be computed only for those archers who have not recorded the minimum of seven scores need for a full handicap.
  2. An archer's handicap shall be derived only from those scores shot within the last twelve (12) months.
  3. All handicaps must be established during a tournament held on official NFAA targets, approved NFAA 2-Star Ranges or higher, and where official NFAA field or hunter rounds are shot.
  4. The differential is the difference between the actual average and perfect. (Example: Last 7 scores are 430, 415, 440, 440, 450, 460 and 410. The best 3 scores are 440, 450 and 460. Average = 450. 560 minus 450 = 110. 80% of 110 equals 88, which is the handicap.)
- C. Handicap Procedure:
1. A new archer, or one who holds an expired handicap card, shall be issued a handicap card in the most expedient manner upon the payment of established fees, and must shoot two official scores to establish handicap.
  2. No archer shall be issued a handicap card unless the archer is a member in good standing of the NFAA and a state association chartered and recognized by the NFAA.
  3. Each person will be responsible for keeping a current handicap in the proper place on the handicap card.
  4. If a person shoots more than one style, he must be handicapped in each style.
- D. Handicap Cards:
1. Handicap cards will be made available online by NFAA upon receipt of dues from members. The card shall have provisions to indicate NFAA State and Club Membership, all styles of shooting, and shall provide space for recording scores for all recognized styles of shooting.
  2. Handicap shall be concurrent with membership, i.e., expiration of membership in the NFAA shall void handicap.
  3. Handicap card shall be issued by the NFAA in conjunction with direct NFAA membership applications, provided an affiliated state association exists in the area where the archer resides.
  4. The handicap and membership card shall carry the NFAA ID number, full name, expiration date, and affiliated state of the archer.
  5. Handicap and membership cards of military personnel in transit or on temporary duty shall be recognized.
- E. Scores to be Recorded on Handicap Cards:
1. All scores recorded on the handicap cards shall be the actual scores for the field and/or hunter rounds.
  2. All scores shot in tournaments using field and/or hunter rounds may be recorded.
  3. All recording on the handicap card shall be on the basis of each 28 targets, i.e., a tournament of 28 targets field and 28 targets hunter – each score is to be recorded. If a 14

field and 14 hunter – the combined total shall be recorded. If a 28 field and 14 hunter – the round that is completed shall be recorded. No fractional round shall be recorded.

F. Lost or Misplaced Handicap Cards:

1. An archer who has been handicapped but cannot submit a handicap card or statement from his club secretary showing his/her true handicap is required to compete without handicap for that tournament.
2. An archer may not submit club secretary evidence of handicap to the state handicap officer or NFAA board member for more than 14 consecutive days. The archer must apply for a replacement handicap and membership card. The application must be accompanied by the fees established by the NFAA and the state association. The replacement card shall run concurrent with his/her previous card as recorded in the records of the state association and/or records of the NFAA.

G. Administration of Handicaps:

1. Handicap shall be administered through the state association chartered and recognized by the NFAA. If no chartered or recognized association exists, the NFAA shall administer the system.
2. The state association shall maintain a satisfactory control to insure that handicap is properly administered.
3. The state associations shall agree no archer is denied a handicap card upon proper application and payment fees, regardless of race, creed or color.
4. The state association shall agree that no member in good standing with the NFAA is denied a handicap card.
5. State associations may not impose additional requirements for handicap.
6. Non-compliance with these requirements shall be grounds for immediate suspension of recognition by the NFAA. The state association must submit within 30 days a brief, showing cause why the offending association's charter and recognition should not be revoked by the NFAA Board of Directors Council.
7. The use of non-official targets shall not be construed as a permissive to negate the provisions of the handicap article.

## **ARTICLE VI**

### **Official NFAA Rounds**

A. Field Rounds:

1. Standard Unit: A standard unit shall consist of 14 targets. Twice around the unit makes a round or two such units make a round. At the following distances four arrows shall be shot from the same stake:  
15, 20, 25, 30 yards at a 35 cm. target  
40, 45, 50 yards at a 50 cm. target  
55, 60, 65 yards at a 65 cm. target  
The following are four position shots, each arrow to be shot from a different position or at a different target: 35 yards at a 50 cm target, all from the same distance, but from different positions.  
45, 40, 35, 30 yards at a 50 cm. target  
80, 70, 60, 50 yards at a 65 cm. target  
35, 30, 25, 20 feet at a 20 cm. target
2. Championship Field Target:  
Four target sizes shall be used. The outer ring diameter shall be 65 cm., 50 cm., 35 cm., and 20 cm. The spot shall be two black rings with white X in center ring, two white rings and two outside black rings. (X-ring used for tiebreakers only). The rings have the following diameters:

Target diameter	65 cm	50 cm	35 cm	20 cm
Outer black ring	65 cm	50 cm	35 cm	20 cm
Inner black ring	52 cm	40 cm	28 cm	16cm
Outer white ring	39 cm	30 cm	21 cm	12 cm
Inner white ring	26 cm	20 cm	14 cm	8 cm
Outer black ring	13 cm	10 cm	7 cm	4 cm
X-ring	6.5 cm	5 cm	3.5 cm	2 cm

2.1 Multiple targets may be used at all distances.

3. Shooting Positions:

The prescribed distances in this section are to be adhered to without variation. Each NFAA chartered club with an approved field course shall mark the distances on the shooting positions of all NFAA Rounds, except 3-D unmarked. In laying out the course any order may be used as necessary to fit the terrain.

4. Shooting Rules:

Each archer shall shoot 4 arrows at each of the 14-target layouts in a unit. In 10 cases this shall mean shooting the four arrows from a single stake at a single target. In the other four it may mean either shooting one arrow from each of four stakes at a single target or it may mean shooting all four arrows from a single stake but at four separate targets, or one arrow from each of four stakes at either two (2) or four (4) targets.

5. Scoring: (For Championship Field Target, 2 above)

5.1 The scoring is 5 points for the spot, 4 for two white circles and 3 outside black rings.

5.2 In all NFAA Rounds, an arrow shaft need only touch the line to be counted in the area of next higher value.

5.3 In non-Professional Divisions, the X-Ring is used for tiebreakers only as determined by the Tournament Chairman.

5.4 In all Professional Divisions, scoring is 1 bonus point for the X (total 6), five points for the spot, four for the two white rings, and three points for the outside black rings. Archers will track X's in a separate column, i.e., 20 with 3X which will carry over to a final column and would be totaled as 23.

6. Alternate Expert field Scoring: The scoring is five points for the spot, four for the second circle, three points for the third circle, two points for the fourth circle and one point for the fifth circle. The x-ring is used for tie breakers only.

B. Hunter Rounds:

1. Standard Unit:

The 14 targets form a unit. Twice around the unit makes a round, or two such units make a round.

2. Championship Hunter Targets

The target has two white rings with black X in center ring, and two outside black rings. (X-ring is used for tie breakers only). 20 cm. targets will be shot vertically either from bottom to top in order or top to bottom in order.

The rings have the following diameters:

Target Diameter	65 cm	50 cm	35 cm	20 cm
Outer black ring	65 cm	50 cm	35 cm	20 cm
Inner black ring	39 cm	30 cm	21 cm	12 cm
Outer white spot	13 cm	10 cm	7 cm	4 cm
X-Ring	6.3 cm	5 cm	3.5 cm	2 cm

The following shows the yardage distances with the target sizes that are to be used:

70-65-61-58 yards at a 65 cm. target, with 13 cm. white spot  
64-59-55-52 yards at a 65 cm. target, with 13 cm. white spot  
58-53-48-45 yards at a 65 cm. target, with 13 cm. white spot  
53-48-44-41 yards at a 50 cm. target, with 10 cm. white spot  
48 yards at a 50 cm. target, with 10 cm. white spot  
44 yards at a 50 cm. target, with 10 cm. white spot  
40 yards at a 50 cm. target, with 10 cm. white spot  
36-36-36-36 yards at a 50 cm. target, with 10 cm. white spot  
32-32-32-32 yards at a 35 cm. target, with 7 cm. white spot  
28-28-28-28 yards at a 35 cm. target, with 7 cm. white spot  
23-20 yards at a 35 cm. target, with 7 cm. white spot  
19-17 yards at a 35 cm. target, with 7 cm. white spot  
15-14 yards at a 35 cm. target, with 7 cm white spot  
11 yards at a 20 cm. target, with 4 cm. white spot

2.1 Multiple targets may be used at all distances.

3. Shooting Positions:

Where one stake is used, a stake at least eighteen inches above ground is recommended. On the two-stake shots use stakes that extend twelve inches above ground and stakes that are not over six inches above ground for the four-stake shots.

4. Shooting Rules:

In shooting the Hunter round the archer will observe the following shooting positions:

4.1 1 stake – Shoot four arrows from the same stake.

4.2 2 stakes – Shoot two arrows from each stake.

4.3 4 stakes – Shoot one arrow from each stake.

4.4 Any arrow shot from the wrong stake will be scored “0” (zero).

5. Scoring: (For Championship Hunter target, 2 above)

5.1 Scoring is five points for the spot, four for center ring, and three for the outer ring.

5.2 In all NFAA Rounds, an arrow shaft need only touch the line to be counted in the area of next higher value.

5.3 In non-Professional Divisions, the X ring is used for tiebreakers only as determined by the Tournament Chairman.

5.4 In all Professional Divisions, scoring is 1 bonus point for the X (total 6), five points for the spot, four for center ring, and three for the outer rings. Archers will track X's in a separate column, i.e., 20 with 3X which will carry over to a final column and would be totaled as 23.

C. Animal Round

1. Standard Unit:

The 14 targets form a unit. Twice around the unit makes a round or two such units laid out differently make a round. Once the maximum and minimum distances are known, then the target distance can be laid out anywhere within these distances and be according to NFAA rules.

2. Targets:

2.1 The targets for this round are animal targets with the scoring area divided into two parts. The high scoring area is oblong while the low scoring area is the area between the high scoring area and the “hide and hair” line or “feathers”, as the case may be. The area between the “hide and hair” line to the outside of the carcass is considered a non-scoring area. A bonus dot (valued one point) is located in the middle of the high scoring area and colored white on dark targets and black on light targets. This bonus dot will be mandatory at NFAA National and Sectional Field Championships and optional at other events. An arrow shaft need

only touch the scoring line to be counted in the next higher value. See Appendix 6 for a picture of an Animal Round Target.

- 2.2 The high scoring area of Group No. 1 (plus or minus 1/8") is 8 ¾ inches wide by 14 ¼ inches long with rounded ends. Targets in this group are the black bear, grizzly bear, deer, moose, elk, and caribou. A bonus 6.5 cm dot (valued one point) is located in the middle of the high scoring area and colored white on dark targets and black on light targets.
- 2.3 The high scoring area of Group No. 2 (plus or minus 1/8") is 6 ¾ inches wide by 10 ¼ inches long with rounded ends. Targets in this group are the small black bear, antelope, small deer, wolf, and mountain lion. A bonus 5 cm dot (valued one point) is located in the middle of the high scoring area and colored white on dark targets and black on light targets.
- 2.4 The high scoring area of Group No. 3 (plus or minus 1/8") is 4 ¼ inches wide by 6 ¾ inches long with rounded ends. Targets in this group are the coyote, raccoon, javelina, turkey, fox, goose, wildcat, and pheasant. A bonus 3.5 cm dot (valued one point) is located in the middle of the high scoring area and colored white on dark targets and black on light targets.
- 2.5 The high scoring area of Group No. 4 (plus or minus 1/8") is 2 inches wide by 3 3/8 inches long with rounded ends. Targets in this group are the turtle, duck, grouse, crow, skunk, woodchuck, jack rabbit, and rockchuck. A bonus 2 cm dot (valued one point) is located in the middle of the high scoring area and colored white on dark targets and black on light targets.

3. Shooting Positions:

3.1 The following chart gives distances and target groups:

Positions	Group	Targets	Max Yds	Min Yds	Spread Yds
3 walk-up shots	1	3	60	40	20
3 walk-up shots	2	3	45	30	15
4 one position shots	3	4	35	20	15
4 one position shots	4	4	20	10	10

- 3.2 The shooting position shall be marked with its exact distance for the National and Sectional level tournament and may be marked at tournaments below that level.
- 3.3 Each target in Group 1 is a five-yard walk-up. In a 14-target unit, there are three targets in this group. Select your distances between 60 and 40 yards for the first stake, move up five yards for the next stake and five more yards for the third stake.
- 3.4 Each target in Group 2 is a three-yard walk-up. In a 14-target unit, there are three targets in this group. Select your distance between 45 and 30 yards for the first stake, move up three yards for the next stake and three more yards for last stake.
- 3.5 Each target in Group 3 is one distance. In a 14-target unit, there are four targets in this group. All arrows shall be shot from the single stake at a distance selected between 35 and 20 yards. If two target faces are side-by-side, the archer on the left shoots the left target. If two target faces are one above the other, the first two archers shoot the bottom target.
- 3.6 Each target in Group 4 is one distance. In a 14-target unit, there are four targets in this group. All arrows shall be shot from the single stake at a distance selected between 20 yards and 10 yards. The first two archers shoot the bottom target faces, and the archer on the left shoots the left target.

4. Shooting Rules:

A maximum of three marked arrows may be shot, in successive order, and the highest scoring arrow will count. In the case of walk-up targets the first arrow must be shot from the farthest stake, the second arrow from the middle stake, and the third arrow from the nearest stake, in order to be scored. No archer shall advance to the target and then return to the stake to shoot again in the event of a missed arrow.

5. Scoring:
  - 5.1 21, 20 or 18 for the first arrow  
17, 16 or 14 for the second arrow  
13, 12 or 10 for the third arrow
  - 5.2 In all NFAA Rounds, an arrow shaft need only touch the line to be counted in the area of next higher value.
- D. NFAA International Round:
  1. Standard Unit:
    - 1.1 The NFAA International Round is a 20-target (ten targets per unit) variable distance round designed for use in areas where the availability of land is restricted or limited. The round is ideally suited for public parks and recreational facilities. The NFAA International Round course requires a minimum of space and can be readily constructed on any level or gently rolling plot of ground. A 20-target course will adequately handle up to 80 participants at one time. The International Round may be laid out on a roving type range, or on an established "Field Round" course. However, whenever possible it is recommended that it be laid out in a progressive order, 20 yards through 65 yards.
    - 1.2 Permanent type roving ranges are subject to course approval by the NFAA Director. Non-permanent park type range shall not be subject to approval by the NFAA Director.
  2. Targets:
    - 2.1 Targets shall conform to the specifications of the NFAA Hunter Round.
    - 2.2 Distance: The distances and corresponding target sizes for the International round are shown in Appendix 3.
    - 2.3 All distances must be measured to the exact yardage.
  3. Shooting Position:
    - 3.1 Each target shall have two shooting positions.
    - 3.2 The two shooting positions shall be parallel to the target butt.
    - 3.3 Shooting positions will provide sufficient area to enable two archers to safely shoot simultaneously at one target butt.
    - 3.4 The distances shall be written on markers which are visible to the archer.
    - 3.5 Each distance marker shall show the number of the target and the distance to be shot.
    - 3.6 If more than one unit is needed, the shooting positions for the targets shall be numbered from 1 to 20.
  4. Shooting Rules:
    - 4.1 Three arrows are shot at each distance
    - 4.2 All other rules for shooting the official Field Round shall apply to the International Round including a maximum distance of fifty yards for youth.
  5. Scoring:
    - 5.1 The scoring on the targets shall be the same as for the Championship Hunter Round.  
In all NFAA Rounds, an arrow shaft need only touch the line to be counted in the area of next higher value.
- E. NFAA Indoor Round:
  1. Standard Unit:

Shall consist of 60 arrows, shot as three games, at a distance of 20 yards. Each game shall consist of four ends of five arrows per end.

    - 1.1 Half way through the scoring portion on the Indoor Round, archers shooting bottom targets will move their target face to the top, and archers shooting top targets will move their target face to the bottom.
  2. Targets:

- 2.1 The target shall be 40 cm. in diameter and shall be of a dull blue color. The spot shall be two white rings with blue X in center ring. All inscribed scoring rings shall be white.
- 2.2 The bullseye shall be 8 cm. in diameter with a 4 cm. X-ring.
- 2.3 The Tournament Director may allow the archer to use the Five Spot Target. (See paragraph 5 below for description of target and method of scoring).
- 2.4 The Tournament Director may substitute the Vegas 3 spot face or the Vegas 40 cm face as official faces in place of the 40 cm blue target or the Five Spot Targets, with scoring as follows: 10 through 1 on the single spot target, 10 through 6 on the three spot target. 5 ends of 3 arrows will be shot per game. Tournament Director will decide if 2, 3, or 4 Games will be used, scoring 300, 450, or 600, respectively. A time limit of 2 minutes per end will be used.
- 3. Shooting Positions:  
Shooting positions will provide sufficient area to enable two archers to safely shoot simultaneously at one target butt.
- 4. Shooting Rules:
  - 4.1 An archer must straddle the shooting line or distance marker. A disabled archer shooting from a chair or wheelchair will place the chair legs or wheels straddling the shooting line or distance marker.
  - 4.2 The time limit shall be four minutes per end.
  - 4.3 The method of breaking ties will be at the discretion of the tournament director.
  - 4.4 In the event of equipment failure, the archer will have fifteen minutes repair time without holding up the tournament. One practice end will be allowed. The archer shall be allowed to shoot any arrows he or she did not shoot during the fifteen minutes repair time, after the final end.
  - 4.5 Two ends of practice will be allowed at all Indoor National and Sectional Tournaments and be optional at State Level and below.
- 5. Scoring:
  - 5.1 The scoring is 5, 4, 3, 2, 1 from the spot out.
  - 5.2 X-rings shall be counted and used as tie breakers and will be considered part of the official score.
  - 5.3 Archer shall record X's and numeric values of each arrow in each scoring box before touching or drawing any arrows from the target. No archer may touch the target face before all arrows are scored.  
Example:

Arrow Score					End Score	X's
X	X	X	5	5	25	3
X	X	X	X	5	25	4
X	X	X	X	X	25	5
X	X	X	X	4	24	4

- 5.4 An arrow cutting two rings shall be scored in the ring of greater value. Scoring is determined by the position of the shaft. In all NFAA Rounds, an arrow shaft need only touch the line to be counted in the area of next higher value.
  - 5.4.1 In the event the scoring ring has become distorted due to torn or missing paper, the scorer shall visually reconstruct the natural arc of the scoring ring to determine the value of the arrow(s).
- 5.5 Witnessed bounce outs or arrows passing completely through the target will be re-shot.
- 5.6 Hits on the wrong target will be scored as misses.
- 5.7 When an arrow is dropped while the archer is in the act of shooting, he/she may shoot another arrow in place of the dropped arrow if any portion of the dropped arrow is within ten feet of the shooting line.

- 5.8 If an archer shoots more than the prescribed number of arrows in an end, the excess arrow or arrows of higher value will not be scored. A penalty of one scoring ring (1 point and 1 X if applicable) will be assessed for each arrow shot over the prescribed number of arrows.
- 5.9 If an archer shoots less than the prescribed number of arrows in one end he/she may shoot his/her remaining arrows if the omission is discovered before the end is officially completed; otherwise they shall be scored as misses.
- 5.10 When using the NFAA Indoor Five Spot Target:
  - 5.10.1 An archer may shoot the 5 spot target in any order and shoot as many arrows into any spot as the archer desires, not to exceed the prescribed number of arrows per end.
  - 5.10.2 Scoring shall be five points for the combined four cm. X-ring and 8 cm. white ring and four points for the combined twelve cm. and sixteen cm. blue rings.
- 5.11 When using the Vegas 3-spot target:
  - 5.11.1 An archer may shoot the 3-spot target in any order, and shoot as many arrows into any spot as the archer desires, not to exceed the prescribed number of arrows per end.
- 5.12 The target group, which generally consists of four archers, will select a score caller, two scorekeepers, and a target captain. The target captain shall be the judge of disputed arrows on his/her target. When a captains arrows are in question, the majority of the group shall decide the status of the target captains arrows. When a line judge has been appointed by the tournament director and an appeal is made to the line judge, the line judges call will be final

F. Flint Bowman Indoor Round:

- 1. Standard Unit:
  - 1.1 56 arrows shall be considered one round.

TARGET NUMBER	DISTANCE	NO. OF ARROWS	TARGET SIZE
1	25 Yards	4	35 cm
2	20 Feet	4	20
3	30 Yards	4	35
4	15 Yards	4	20
5	20 Yards	4	35
6	10Yards	4	20
7	30, 25, 20, 15 Yds	1 each	35

- 1.2 Top row target centers shall be spaced 48 inches from the floor. Bottom row target centers shall be spaced 30 inches from the floor.
- 2. Targets:
 

The targets are standard 20 cm. and 35 cm. field target faces placed in two rows on each butt. The center of the upper row shall be 48 inches from the floor. The center of the lower row shall be 30 inches from the floor and directly below the upper targets.
- 3. Shooting Positions:
  - 3.1 This round is to be shot on a 30-yard range with shooting lines marked parallel to the target line at distances of 20 feet, 10, 15, 20, 25, and 30 yards.
  - 3.2 Starting at the 30-yard line, and proceeding toward the target line, the shooting lines are to be numbered 3, 1, 5, 4, 6 and 2.
  - 3.3 There shall be a separate lane for each butt and the archer shall go from one shooting line to his next shooting line in the lane for the butt on which his two targets are placed.
  - 3.4 The targets on the butt in the second lane shall be reversed from those in the first lane. Those in the third lane shall be exactly as those in the second lane.



4. Shooting Rules:  
If an archer starts out on a high target, as in lane one, he shoots his second end on the low target in the same lane. The archer continues to shoot at the targets in this lane until he has shot at seven targets. For his second target score, he should go to another lane in which the targets are in reverse from the one he started on.
5. Scoring: Scoring shall be the same as the Field Round.

6. 20-Yard Flint Round:

Target Number	Distance	No. of Arrows	Target Size
1	50 ft.	4	35 cm
2	20 ft.	4	20
3	60 ft.	4	35
4	45 ft.	4	20
5	40 ft.	4	35
6	30 ft.	4	20
7	60, 50, 40, 30 ft.	1 each	35

- 6.1 Because of the inability of many clubs to obtain the necessary space for a 30-yard indoor round, the NFAA has provided rules for a 20-yard round as follows:
- 6.2 Rules: Rules for the 20-yard round are the same as for the Flint Indoor Round.

G. NFAA 900 Target Round

1. Standard Unit:
  - 1.1 Adults/Young Adults
    - 1.1.1 30 arrows at 60 yards
    - 1.1.2 30 arrows at 50 yards
    - 1.1.3 30 arrows at 40 yards
  - 1.2 Youth
    - 1.2.1 30 arrows at 50 yards
    - 1.2.2 30 arrows at 40 yards
    - 1.2.3 30 arrows at 30 yards
  - 1.3 Cubs
    - 1.3.1 30 arrows at 30 yards
    - 1.3.2 30 arrows at 20 yards
    - 1.3.3 30 arrows at 10 yards
2. Targets:
  - 2.1 The target face should conform to the specification of the current 122 cm target face that will retain stability of size, shape, and color under adverse weather conditions.
  - 2.2 The target face is divided into five concentric color zones arranged from the center outward as follows: Gold (yellow), Red, Blue, Black and White with ten concentric rings arranged to divide each color.
  - 2.3 A scoring line, not more than one-tenth inch in width shall be provided between rings. An arrow shaft need only touch the line to be counted as the higher score value.
  - 2.4 When all the archers shooting at a target mat so desire; the full target face will be used so that all archers may score arrows that fall outside the 6 ring.
3. The Target Range:
  - 3.1 The target field shall be laid out so that shooting is from South to North. A Maximum deviation of 45% is allowed for local tournaments if required by terrain or safety.
  - 3.2 Range distances shall be accurately measured from the shooting line on the ground perpendicular to the gold on the target face.
  - 3.3 Target lines and shooting lines shall be plainly and accurately marked on the ground, and shall be no more than six inches in width. Target lines or shooting

- lines may be arranged to require the shooters to move forward from the longest distance to shorter distances while the targets remain stationary, or to require the target butts to be brought forward from longest to shorter distances while the shooters use a stationary line. There shall be a 3-yard waiting line behind the shooting line.
- 3.4 Individual target lanes shall be suitably and plainly marked either by center lines, or by lines designating the side boundaries of each lane. Pegs, chalk lines, paint lines, or mowed strips are suitable markings.
  - 3.5 All safety precautions and limited access to the shooting area must be enforced.
  - 3.6 At least every other target butt should have a small flag, of a size and color easily visible from the sixty-yard line, mounted at least two feet above the top of the target butt.
4. The Target Butt and Target Backstop:
- 4.1 The target butt (backstop) shall be of any suitable material that will not damage arrows or allow them to pass through or bounce out frequently.
  - 4.2 Target backstops shall be securely anchored to the ground to prevent accidental toppling.
  - 4.3 Target identification shall be by means of numerals, at least eight inches high, made of a suitable material, so as to be easily visible from sixty yards and be mounted at the base of the targets.
5. Shooting Positions:
- 5.1 The shooting area is an area starting at the waiting line and which runs parallel to and adjacent to the target line, and extending to a safe distance behind the target butts.
  - 5.2 An archer shall stand so that there's one foot on each side of the shooting line.
  - 5.3 When two shooting line groups are used, archers will alternate first up to shoot on the target. An AB, BA system will be used alternating end by end so that each archer will have an equal time shooting at a target without arrows in it.
6. Shooting Rules:
- 6.1 An END consists of six arrows shot for score.
  - 6.2 There will be a five-minute time limit to shoot six arrows, with a 30 sec. warning before the time limit expires. The Director of Shooting (DOS) shall signal the start and finish of each end and shall use tournament control signals needed for safety.
  - 6.3 NFAA shooting divisions and styles shall be used for award presentation.
  - 6.4 Any kind of arrow may be used provided they do not damage the target face or target butt unreasonably.
  - 6.5 Any type of spotting aid may be used provided it does not cause an obstruction or interference to other shooters.
  - 6.6 Initial target assignments may be made according to any system designated by the tournament officials. There shall not be less than three nor more than five archers assigned to each target in use. Four is customary.
  - 6.7 Archers shall be re-assigned targets after each round on the basis of their total score in division and style for rounds completed.
  - 6.8 There shall be two practice ends or 45 minutes of open practice before the first scoring end in the competition.
  - 6.9 There shall be no practice permitted after a break or delay unless such postponement exceeds forty-five (45) minutes. In such cases the amount of practice shall be one practice end at the present scoring distance.
  - 6.10 A whistle system shall be used to control the archers shooting line, rotation and timing for scoring per end shot: Two (2) blasts to come to the shooting line, one (1) blast to start timing of shooting for score, three (3) blasts to go forward to score, and four (4) or more for emergency stop of all shooting.

- 6.11 Equipment failures must be recognized by an official and 45 minutes will be allowed for repair. There will be one practice end, at the distance that the equipment failure occurred.
  - 6.12 A mis-shot arrow may be re-shot if the archer can touch the arrow with their bow without moving their feet at the shooting line.
  - 6.13 If an arrow should hang from the target face, shooting shall be interrupted and a judge shall immediately reinsert the arrow in its proper place in the scoring face.
  - 6.14 Ties shall be resolved in favor of the archer with the most hits. Then the greatest number of X's, 10's and 9's etc. If still tied, the tie shall be so recorded unless it is for first place. Which will be shot off one arrow at a time. If still tied after two tie breaker arrows, the third will be closest to the center.
  - 6.15 Coaching an archer on the shooting line is permitted, providing that such coaching is not distracting to other contestants. Audible coaching of archers on the shooting line is not permitted.
7. Scoring:
- 7.1 Arrows in the standard 122 cm target face shall be scored as follows: Inner Gold – 10, Outer Gold-9, Inner Red – 8, Outer Red-7, Inner Blue – 6, Outer Blue-5, Inner Black – 4, Outer Black-3, Inner White – 2, Outer White-1; all others shall be scored as an “M” (miss).
  - 7.2 An arrow shaft need only touch the scoring line to be counted in the next higher value. Doubtful arrows must be determined for each end before the arrows or target face have been touched, otherwise the lower value must be taken.
  - 7.3 An arrow that has passed through the scoring face so that it is not visible from the front shall be pushed back through for scoring. If a complete pass –through goes unnoticed until scoring at the target, it shall be re-shot. Arrows passing completely through the target, if witnessed, may be re-shot.
  - 7.4 An arrow that rebounds from the target butt shall be re-shot.
  - 7.5 An arrow embedded in another arrow in the scoring face shall be scored the same as the arrow in which it is embedded.
  - 7.6 Hits on the wrong target face shall score as misses.
  - 7.7 The archer chosen to pull the arrows from the target, normally the first in order of assignment, shall be the Target Captain and shall rule all questions on their target subject to appeal to the Line Judge.
  - 7.8 The Target Captain shall call the value of each arrow so it can be recorded by two score keepers, normally the next two assigned to the target. Scorers should keep a running score and check results after each end to avoid errors. Any archer on a target may request a judge to determine final score of any arrow before any arrows or the target butt are touched.
  - 7.9 Archers are individually responsible for seeing that their arrows are called correctly and are properly entered on the scorecards, and that their scorecards are signed and turned in to the proper officials.
8. Field Officials:
- 8.1 Field Officials shall be appointed by the tournament committee and shall rank in authority as follows: Tournament Director, Director of Shooting, Chairman of Judges, Judges. The Appeals Committee shall have final authority on all protests submitted to them.
  - 8.2 The Tournament Director shall have the responsibility and authority to organize all other officials. The Director of Shooting shall supervise and regulate all practice, timing of ends and the completion of the competition in accordance with regulations and customs; interpret and decide questions of rules; and to maintain safety conditions. The Chairman of Judges and his Judges shall interpret the score of doubtful arrows; enforce timing of ends, shooting rules and sportsmanlike behavior.

- 8.3 Decisions of the lesser field official shall be final unless immediately appealed to Chairman of Judges.
- 8.4 Decisions of the Target Captain and /or Judge shall be final unless verbal notice of intent to protest is given to the Chairman of Judges. The verbal protest must be followed by the submission of the protest in writing to the Chairman of Judges prior to one hour after the completion of scoring. The written protest will be submitted to the Appeals Committee, and the Appeals Committee will make a decision, before the handing out of the awards. All Appeals Committee decisions are final.
- H. NFAA 810 Target Round:  
The only difference between the 900 round and the 810 Round is the method of scoring. Item 7 as listed above in the 900 Target Round will change to read as follows: Arrows in the standard target face shall be evaluated as follows: Gold-9, Red-7, Blue-5, Black-3, White-1.
- I. NFAA 600 Target Round.
1. The only difference between the 600 Round and the 900 Round is the number of arrows per end and the number of ends per distance. All other rules apply.
  2. 20 arrows will be shot at each distance in four ends of five arrows for score.
  3. The time limit shall be four minutes per end.
- J. NFAA Classic 600 Target Round.  
Rules same as the NFAA 600 Round except as follows:
1. The NFAA Archery Classic 92 cm Target Face shall be used. At the discretion of tournament management, the center version of the Face may be used utilizing only the 6 through 10 rings. Archers who want to shoot the full 92 cm Target Face must state their desire during registration and will be accommodated by moving them to a target butt with a full face.
  2. The round is shot starting at the closest distance and progressing to the longest distance.
- K. NFAA 3-D Rules and Regulations: For Marked and Unmarked Tournaments National and Sectional - State Optional.
1. GENERAL RULES AND REGULATIONS
    - 1.1 NFAA National Marked 3-D will consist of 70 3-D targets or as determined by the NFAA. National Unmarked 3-D will consist of a minimum of 60 3-D targets. Sectional and State (optional) marked and unmarked rounds will consist of a minimum of 30 3-D targets in two or more courses.
    - 1.2 Tournaments may be two or three-day events as required by tournament host. Each day there will be shooting assignments posted with times and ranges for competition for the day.
  2. SPECTATORS AND GUESTS (PRESS)
    - 2.1 No spectators are allowed on the tournament ranges during competition, unless allowed by the Tournament Director. (The condition of the ranges, weather conditions or safety factors may not permit this.) Every effort will be made to accommodate the media.
    - 2.2 Cameras are not allowed on unmarked tournament ranges until the last day of the competition.. Marked ranges may have cameras at the discretion of the Tournament Director. The use of a flash camera during competition is prohibited. (Tournament Director may make special exceptions for the working press with official press credentials.)
  3. GUEST COMPETITORS:  
At the NFAA National tournaments, with a joint agreement between the host organization and the NFAA Council, and at the Sectional tournaments, with a joint agreement between the host organization and the Section Directors, guests will be allowed to compete in the tournaments, however, they must pay the same entry fee as the NFAA members and they will not be eligible for any NFAA awards. These classes (GUEST CLASSES) will be the sole responsibility of the host clubs or organizations for their awards.

4. AWARDS:
  - 4.1 At National tournaments, the Non-Pro classes will compete for Belt Buckles and Medals only.
  - 4.2 At Sectional tournaments, the Non-Pro classes will compete for Plaques, patches and medals.
  - 4.3 At both National and Sectional tournaments, the Pros will compete in the Money Class in their division. Cash awards and a Plaque and patch for first place only.
5. GENERAL SHOOTING RULES AND REGULATIONS
  - 5.1 Prior to the start of each tournament, the archer is required to check in at the registration desk. You should double-check your target assignments and your shooting classification. All archers are responsible for checking to be sure there are no errors in their registration. This will be the only time you can make changes in your classification, and/or shooting time. After the tournament begins, it will not be possible to make changes. Remember it is the shooter's responsibility to get his or her target assignments, range assignment and scorecards. Scorecards may never leave the archery tournament. Scorecards must be double signed by shooter and "scorers" in that group. This signature is a guarantee that the score is accurate and true. If scorecards are turned in not tallied or not properly signed, they will be disqualified and/or the lowest score used for official score. All scorecards must be turned in no later than one hour after the completion of that round.
  - 5.2 Prior to the start of competition, all shooters may be expected to attend a "pre-competition meeting". These meetings are for information and special announcements from the Tournament Committee. These meetings will begin forty-five (45) minutes prior to the start of competition, or as announced by the Tournament Committee.
  - 5.3 The NFAA has adopted the 300 ft. per second rule with a 3% margin of error as measured by the official on-site chronographs. Each competitor understands and agrees that they may be required to shoot the designated tournament on-site chronographs. If after shooting 3 arrows through the chronograph after a tournament round, the average speed exceeds 309 ft. per second, then that round score will be immediately disqualified, with no exceptions.
  - 5.4 The NFAA maximum draw-weight of a bow shall not exceed eighty pounds (80) lbs.
  - 5.5 All targets will be 3-D animals placed vertical to the horizon and all archers are required to return the targets to this position after removing their arrows. No target may be placed at an angle greater than that which would create a glance-off.
  - 5.6 The NFAA National Marked 3-D maximum distance will be 101 yards, provided targets of adequate size are used. Sectional and State (optional) Marked 3-D maximum distance will be 60 yards. National, Sectional and State (optional) Unmarked 3-D maximum distance will be 50 yards. Distances on marked 3-D courses will be measured with a tape or more accurate measuring device. Hand-held range finders will not be used.
  - 5.7 Participants will be assigned in minimum groups of three shooters per target, and shooters are required to be at their assigned target 5 minutes prior to start times.
  - 5.8 Each archer will shoot their arrows with one foot touching the appropriate stake for the division and class in which they are registered.
  - 5.9 No archer will write down distance-to-target information or notes on an unmarked 3-D range, or will refer to written memoranda concerning distance-to-target while shooting an unmarked course.

## 6. PROTESTS

- 6.1 All NFAA tournaments will have a "Protest Committee" made up of the Tournament Directors, State Directors and NFAA officials present. This committee will be made up of 5 members present.
- 6.2 Any grievance or protest must be filed in writing with the Tournament Director within one (1) hour from the completion of that competitive round. This protest must include the names of all parties and witnesses involved with the said grievance. It is the responsibility of the person or persons filing the grievance to have this information written down and signed by all parties involved. There is a \$50.00 cash protest fee. All participants must be available to be interviewed by the Committee at the time of filing. If the committee rules in favor of the protest, or if the protest is withdrawn, the fee will be returned.
- 6.3 All decisions of the Committee will be final, but a full report of grievance and decision will be submitted to the RIC committee for review. Any agreement acted upon must be signed off on that day, or before the conclusion of the tournament if at all possible, by the parties involved.

## 7. SCORING

- 7.1 The National marked 3-D will conform to the Western Trail (Redding) format of 2 arrows, scoring 11-10-8 each. Or as determined by the NFAA. Marked and Unmarked Sectional and State (optional) 3-D will shoot a 1 arrow format, scoring 12-10-8-5. National Unmarked 3-D shall use the 1 arrow format scoring 12-10-8-5.
- 7.2 Scorecards will be picked up at registration, or a designated area, prior to each round of competition. This is usually forty-five (45) minutes before starting time at pre-tournament meeting announcements. Each shooter will receive two (2) score cards for each round. All information on each scorecard must be filled out and correct.
- 7.3 Each group will designate two (2) members of their group to call scores and two (2) members to record the scores. (If the group has only three (3) shooters, only one (1) will call arrows). Archers will draw for the shooting order in their respective groups and rotate the shooting order.
- 7.4 All arrows must remain in the target and should not be touched until all arrows are scored. The arrow shaft must touch any portion of the scoring ring, regardless of deformity of the scoring rings or angle of the arrow in the target to be scored the higher value. The status of any questionable arrows must be determined before removing any arrows from the target. If both score callers agree, the score called is final. If there is disagreement in the designated callers, a third caller from the group other than the archer whose arrow is in question will make the final call. If a questionable arrow exists in groups of three, the designated caller will make his call. If the archer whose arrow is in question does not agree, he may have the third party make the final call. In all cases the third call is final.
- 7.5 Score callers will judge and score each arrow and call out the results to the scorekeepers. This will be recorded on the respective shooters scorecard. Running scores can be checked during the progression of the round to eliminate errors.
- 7.6 Both completed scorecards must be totaled and signed as correct by the score keepers and the shooter and turned in at the assigned area. Each shooting group must turn in their scorecards together (except when a shooter is permitted to make-up targets due to equipment failure or other approved leave of emergency). Any individual or group that does not turn in their cards before leaving the range (taking cards with them) will receive a score of "X" for that day's score. "X" will be used instead of the number (0) on all cards, symbolizing "NO SCORE".

- 7.7 Arrows passing through the face, but still in the target, will be pushed back and scored.
- 7.8 Any arrows deflected by a foreign object or miss fired will be scored where it lies.
- 7.9 Any arrow embedded in the nock of another arrow (generally known as a “Robin Hood”) will be scored the same as the arrow it struck and skewered, even if it falls to the ground and not in said target.
- 7.10 Arrows in corresponding areas of the target will be scored with point values as follows:  
12 – Highest Score  
10 – 2<sup>nd</sup> Scoring Ring  
8 – 3<sup>rd</sup> Scoring Ring  
5 – Outside Scoring Area (ANTLERS AND HORNS, NO SCORE)  
“X” – NO SCORE
- 7.11 All tied scores will be broken by the number of 12 Rings; except in the case of a first place tie. When this occurs, a sudden death shoot-off will take place. All shooters tied for 1<sup>st</sup> place will shoot one (1) arrow. The arrow which is determined to be the closest to the 12 ring will be declared the winner. If two shooters tie by being the same distance to the 12 ring, they will shoot until the tie is broken. This will be true for all classes. If competitors are not present, ties will be broken by Rule of First Points dropped. [If possible use same ranges when comparing cards to break ties].
- 7.12 A witnessed bounce-out will be re-shot. If an arrow is shot at a target and is suspected by the archer or the group as a pass-through then proceed by letting the next archer in order shoot. Archers not standing at the stake should always observe where the arrow strikes the target for this reason. When all shooters of a group have completed shooting, one (1) “scorer” may proceed to the target to see if there was a pass-through or if the arrow is embedded in the target. If it is embedded in the target, he will request the group to come to the target, and observe pushing back the arrow to score. If the arrow has passed-through, then the “scorer” has to return to the group so the archer can shoot another arrow at the target to score. As soon as possible, tell Range officials which target you had a pass-through on, so it can be replaced or repaired.
- 7.13 After shooting the last arrow, the group shall stand together away from the shooting stake if shooting in close quarters. This will let others know you are through. When it is safe, all shooters are to proceed to the target to score all arrows before any arrows are pulled from the target. If any shooter pulls arrows from a target before the score callers and the scorekeepers can officially record them to the cards by sight, that shooter automatically receives an “X” for said target.
- 7.14 In consideration of time, no shooter will glass the target while standing at the shooting stake after shooting their arrow. Shooters may glass the target prior to shooting, but still be reminded of the time factor restrictions. After assuming their position at the stake, 2 minutes are allowed to shoot one (1) arrow. The shooter will receive a verbal warning from the group for the first offense. Second warning will be a five point (5) penalty from target score, but no less than an “X”. Each subsequent offense will receive same (5) pt. penalty but no less than an “X”.
- 7.15 An arrow inadvertently dropped while transferring the arrow from the quiver to the bow in preparation of a shot or an arrow that falls off the arrow rest or accidentally releases from the string in preparation of making a shot may be recovered if within reach of the archer from the appropriate shooting stake.
8. **EQUIPMENT FAILURE:** An archer declaring equipment failure, verified by the group may leave the range to report the equipment failure to a tournament official. Upon reporting to an official, the archer will have forty-five minutes (45) to make necessary

repairs or replacement and re-sight the repaired equipment. The archer will then rejoin the original group and continue shooting the remaining targets. All targets missed will be shot under make up rules with a scorekeeper and witness. Any equipment failure that results in an arrow being released toward a target will be scored as it lies, a missed target may not be re-shot. Each archer is limited to one (1) equipment failure per tournament. If a second equipment failure occurs, the archer will remain with his or her group to act as a scorer or scorekeeper.

9. BINOCULARS and RANGE FINDERS:

9.1 Binoculars and spotting scopes will be allowed. They may be checked at random by tournament officials or individuals in your shooting group. You may ask to check theirs as well.

9.2 If any marks are deemed inappropriate by an official, the glasses will be confiscated and presented to the Tournament Director and committee for examination. In addition, any binoculars and or spotting scopes that have been pro-marked by the factory and are being used by the shooter as a range finding device, will be confiscated and will be presented for review to the tournament committee. Penalty for this if found guilty will be disqualification.

9.3 On unmarked ranges, no range finders are allowed. On marked 3-D ranges, range finders would be allowed if announced and advertised as to be used. This would be left as an option to the Tournament Officials.

9.4 An archer may not hold any equipment in line with the target for use as a range finder, and after an archer has set his/her sight, may not let down and re-set the sight. A verbal warning may be given from the group for a first offense. A second offense may be assessed a penalty of 5 points by the group. Each subsequent offense may be assessed a 5 point penalty.

10. PROCEDURE FOR FINDING LOST ARROWS:

As a safety consideration, and to insure a timely competition, no archer will go behind a target to look for a lost arrow, unless you can see it at time of scoring. Always keep at least (2) two archers in front of target to insure that no other group will shoot said target while you are retrieving the arrow. If you cannot visibly see the arrow, make a note to return with a range official, after the completion of the round.

11. CLASSES AND DIVISIONS: Equipment for 3-D is in accordance with existing NFAA Style and Division equipment rules.

14.1 National Unmarked, Sectional and State (optional) Marked and Unmarked Youth and Cub maximum distances.

YOUTH	Marked maximum – 45 yards Unmarked maximum – 40 yards Stakes = Blue
CUB	Marked and Unmarked maximum – 25 yards Stakes = Black

14.2 Adult Traditional and Longbow archers shoot Blue Stakes.

L. “Lake of the Woods Round”

1. This round is a 20 target (ten targets per unit) variable distance round designed for use in recreational facilities or public parks. The round is to be shot in a progressive order, 20 yards through 65 yards. Whenever possible, a 20 yard practice target per unit will be used.

2. TARGETS:

2.1 Target faces shall be a 4-color FITA type.

2.2 Each target position shall have one target butt.

2.2.1 There shall be 4 target faces on each target butt at 20 yards, 25 yards, and 30 yards. There shall be 2 target faces on each target butt at 35 yards, 40 yards, 45 yards, and 50 yards. There shall be 1 target face on each target butt at 55 yards, 60 yards and 65 yards.

2.3 Distance: The distances and corresponding target sizes:



Distance – Yards	Target Size – Centimeters	Target Layout
20	40 cm	4 targets in a square
25	40 cm	4 targets in a square
30	40 cm	4 targets in a square
35	60 cm	2 targets side by side
40	60 cm	2 targets side by side
45	60 cm	2 targets side by side
50	60 cm	2 targets side by side
55	80 cm	1 target
60	80 cm	1 target
65	80 cm	1 target

- 2.4 All distances must be measured to the exact yardage.
3. Shooting Position:
- 3.1 All shooting positions shall be long a straight line and parallel to the target butts.
- 3.2 Each target butt shall have a 4 shooting positions 30” in width.
- 3.3 The Distances shall be written on markers which are visible to the archer.
- 3.4 Each distance marker shall show the number of the target and the distance to be shot.
- 3.5 If more than one unit is needed, the shooting positions for the targets shall be numbered from 1 to 20.
4. Shooting Rules:
- 4.1 Archers shall shoot in groups of 2 to 4 with 4 being preferred.
- 4.2 On the first unit, two archers shall shoot on the left side of the marker at the targets on the left side of the target butt. Two archers shall shoot on the right side of the marker at the targets on the right side of the target butt.
- 4.3 The two archers nearest the marker shall shoot the bottom targets on the target butt. The two archers farthest from the marker shall shoot the top targets on the target butt.
- 4.4 All groups shall start at 20 yards and advance to 25 yards, 30 yards, and so forth up to 65 yards. After all groups have started, the first group shall start at the 20 yard on the second unit (if two units are used) and advance in 5 yard increments to 65 yards.
- 4.5 At the start of the second unit, the archers who were next to the marker shall move to the outside, and the archers who were on the out-side shall move to the inside.
- 4.6 If a 20 yard practice target is used at the start of each unit, the archer may shoot it once at the start of each unit.
- 4.7 Each archer shall shoot three arrows at each distance per unit.
- 4.8 The maximum distance for youth in this round shall be 50 yards.
- 4.9 Cubs shall shoot:  
3 targets at 20 yards 40 cm  
4 targets at 25 yards 60 cm  
3 targets at 30 yards 80 cm
5. Scoring:  
The scoring on the target shall be:  
5 points for each arrow in the gold rings  
4 points for each arrow in the red rings  
3 points for each arrow in the blue rings  
2 points for each arrow in the black rings  
1 point for each arrow in the white rings  
The arrow has only to touch the line to count the higher value.
6. Starting time:  
First day, archer’s choice, space permitting or as the tournament host sets.

Second day, by score: low score start first high score start last. A great round to promote archery and spectators.

## **ARTICLE VII**

### **The NFAA Indoor League Program**

**A. Terms:**

1. Round – A type of game. Freeman, NFAA Indoor round, Vegas 450 Indoor round.
2. End – Five arrows shot consecutively by an archer during his/her turn to score for the Freeman and NFAA Indoor rounds. Three arrows shot consecutively by an archer during his/her turn to score for the Vegas 450 round.
3. Game – The divisions of a round. Four ends of five arrows for the Freeman and NFAA Indoor rounds. Five ends of three arrows for the Vegas 450 Indoor round.
4. Series – Three games shot in a round.
5. League – A number of teams competing against one another in a match play.
6. Team – The basic unit of a league composed of two or more archers and a permissible limit of alternate members.
7. League Period – Total number of weeks a league will be in competition.
8. Scratch Score – An archer's actual score before it has been adjusted by a handicap.
9. Average – An archer's average is computed from the average of scores of the last six games.
10. Handicap or Match Score – An archer's score after it has been adjusted by his handicap.
11. Absentee Score – A score shot prior to a league match to an anticipated absence. Absentee scores may not exceed the archer's average.
12. Blind Score – A score used for a missing member(s). Blind scores are computed by subtracting five points from the archer's average score.
13. Team Average – The combined averages of all archers on a team.
14. Team Points – Points a team earns by game and series wins. In league play a team earns one point for each game won. In addition, one point is awarded the team having the highest series total score.

**B. League Sanction:**

1. Any NFAA chartered association; club or archery lane may apply for the Indoor Archery League Program.
2. League sanction will be granted provided:
  - 2.1 The league sessions will be conducted on an NFAA approved range.
  - 2.2 Official NFAA targets are used in official NFAA rounds.
  - 2.3 A league sanction fee of \$5.00 per archer is submitted to NFAA Headquarters.
3. The NFAA, in granting league sanction, will furnish:
  - 3.1 League Sanction Certificate.
  - 3.2 League Secretary instruction guide.
  - 3.3 League forms including team score sheets, team standing forms, team shooting schedules and individual archer handicap or game record cards.
  - 3.4 Individual progression awards.

**C. League Formation, Officers and Duties:**

1. A temporary chairman should be appointed by the association, club or manager of a commercial archery lane desiring to establish the Indoor Archery League. This chairman will conduct an election of league officers at the initial meeting of league archers. After the election of officers, decisions must be made regarding:
  - 1.1 Number of archers on a team.
  - 1.2 Type of round, NFAA Indoor, Freeman or Vegas 450 Indoor..
  - 1.3 Type of handicap, Team or Individual.
  - 1.4 Substitution rules, Absentee and Blind Scoring.
  - 1.5 Awards, trophies, point money, etc.
  - 1.6 Shooting fees, sanction fees and manner of payment.

2. Management of the leagues shall be vested in a Board of Directors, composed of team captains chosen by the respective members of their teams, and the elected officers of President, Vice-President, and Secretary. The Board shall decide any disputes or protests occurring between individuals or teams in league play, and shall render final decisions in regard to interpretation of league regulations.
  3. President:  
The President shall preside at all meetings and shall act as Range Captain during league sessions. He/she shall have the authority to regulate practice shooting and competition in accordance with official rules and customs, and to maintain safety conditions. He/she will be the final authority in scoring doubtful arrows when requested by a target captain.
  4. Vice-President:  
The Vice-President will act in the absence of the President.
  5. Secretary:  
The Secretary is responsible for the proper conduct of the league and shall guarantee league functions in the manner as required by the NFAA; shall collect team shooting fees and keep complete records of league finances; shall compile individual and team scores and compute averages and/or handicaps as required; shall post a record of team standing; shall administer the NFAA awards program; shall post team schedules and make lane and target assignments for each session; shall collect and remit sanction fees to the NFAA; and shall perform such other duties as may be requested of him/her by the President or required by the rules governing the league.
- D. League Regulations:
1. League Sanction: Is provided for a continuous league period. Individual archers or teams may be added after the league has started, provided applicable forms and sanction fees are submitted.
  2. Eligibility: League shooting will be open to all archers. Individual membership requirements may be imposed by the host organization in accordance with regulations of the state association to which it is affiliated.
  3. Targets: The official NFAA Indoor League target shall be used in all league sessions.
  4. Teams: The number of archers on a team will be decided by the league membership at the initial league meeting. An archer may transfer to another team with approval of both team captains and the Board of Directors.
  5. Late Joining Teams: If necessary, teams may be added. However, in team standing, new teams will be scored as losing all previous series.
  6. Handicap Systems: Either team or individual handicap may be selected by preference of the league membership.
    - 6.1 Team handicap will be computed at 80% of the difference in the average scores of any two teams that will compete against each other in a league series. These handicap points will be given to the lower scoring team before the series begins.
    - 6.2 Individual handicap will be computed at 80% of the difference between an archer's average scratch score and perfect. These handicap points will be given to each individual before a series begins.
  7. Team Points: In league play there are four possible points to be won in a three game series. One point is earned for each game won and a team having the higher series total wins one point. When two teams have tie scores for a game, each team wins  $\frac{1}{2}$  point.
  8. Average: An archer's average will be computed weekly from the average of the last six games shot. During the initial league series each archer's high game and low game will be discarded and the remaining score used as the average in determining team points. The same procedure will be used during the second league series, but thereafter will revert to a six game average.
  9. Late Joiners or Alternate: Averages for late joiners or alternates without established averages will be computed in the same manner as described in paragraph 8, above.

10. Handicap: An archer's handicap will be computed weekly from the average of the last six games shot. 80% of the difference between 100 and the six game average will be the handicap. During the initial league series the high game and low game will be discarded and the remaining score will be used as the average in computing the handicap. The same procedure will be used during the second league series and for averages for late joiners or alternates without established handicaps.
  11. Absent Team Members: A certain number of team members must be present to compete. Having fewer than the minimum required will result in forfeiting the series. The minimum of archers present for four member teams will be two; for three member teams, one; and for two member teams, one.
  12. League Alternates: Several alternate or substitute archer procedures may be employed. The system selected is left to the preference of the league membership. Once the league has adopted a system there must be no variation unless the league Board of Directors has voted a change.
    - 12.1 A list of league alternates may be on file with the league secretary. Any archer so listed will be eligible to fill in vacancies on any team in the league.
    - 12.2 Each team may carry an additional team member as an alternate. In this instance, the alternate may shoot only if vacancies exist on his team.
    - 12.3 A league may elect not to allow any type of alternate rule.
  13. Absentee Score: A league may elect to allow absentee scores in lieu of or in addition to its alternate rule. An absentee score must be witnessed and may not exceed the archer's average. Points above his average will be dropped.
  14. Blind Scores: A blind score may be used for a missing order. It will be determined by subtracting five points from the archer's average score. This blind score will be used for each game in the current series. Blind scores should not be used for computing future averages.
  15. Late Arrival: A team member arriving before the second game has started may participate in the balance of the game but their score for the first game will revert to blind score procedure. Arrival after the second game has started will disqualify them and blind score procedure will be used for his series.
  16. Divisions of a League: The league period will be divided into first and second halves. All teams will start the second half with zero wins and losses. Individual averages and/or handicaps will be carried into the second half.
  17. League Championship: A shoot-off, one three-game series, between the winner of the first half and the winner of the second half shall decide the League Championship.
  18. Final Event Ties: Teams which are tied at the end of the last night of the league, and first and second half winner teams will shoot off the tie in a normal four end game of twenty arrows. If the tie is not broken, shooting will continue until one team shoots a better end (five arrows) in sudden death. Averages and/or handicaps will not be re-computed for the purpose of shooting off ties.
- E. Shooting Rules:
1. Team Captain: Each team will select a team captain from its members. The team captain shall be responsible for the attendance of the members of their team and for their behavior at all league sessions. They will collect all shooting fees, including those of tardy members, and submit them to the league secretary. They will direct the shooting order of their team; appoint an archer to score and pull the opposing team's arrows and another to record the scores. They shall check and initial score sheets at the end of each session and submit them to the league secretary.
  2. Target Order: The score sheets will indicate which butt and lane (left or right) where each team will shoot. The first two left lane archers will shoot the top left targets and the last two will shoot the lower left targets. The first two right lane shooters will shoot the top right targets and the last two, the lower right targets. Lane assignments will be changed each week to insure a fair rotation.

3. Alternation of Shooters: After the completion of six ends, teams shall change lanes and targets. Archers who shot top targets on one side will shoot bottom targets on the other side, etc.
  4. Target Captain: Team captains shall each act as a target captain on the opposing team's shooting lane and score all doubtful arrows. Their decision will be final unless immediately appealed to the Range Captain.
- F. Awards:
1. Individual Achievement Awards:
    - 1.1 All archers who shoot in a sanctioned NFAA Indoor League will be eligible for individual achievement awards as follows:
 

120 patch	240 patch	
140 patch	260 patch	
160 patch	270 patch	
180 patch	280 patch	
200 patch	290 patch	
220 patch	300 patch	
    - 1.2 Vegas 450 Indoor round:
 

200 patch	300 patch	420 patch
225 patch	325 patch	430 patch
250 patch	350 patch	440 patch
275 patch	400 patch	450 patch

The first three individual achievement awards won by an archer during a league period will be presented by the NFAA free of charge. Additional awards may be won but a charge to cover the cost of the awards will be assumed by the league sponsor or recipient of the award.
  2. A League Championship Pin will be presented to each member of a league championship team.
  3. Individual achievement awards are available for presentation to all state association sanctioned indoor tournaments. A charge to cover the cost of the awards will be assumed by the tournament host.

## **ARTICLE VIII**

### **The NFAA Outdoor League Program**

- A. Terms:
1. Round – A type of game; Field, Hunter, or International Round.
  2. End – Four arrows in Field or Hunter, three arrows in International round.
  3. Game – The divisions of a round; 14 Field, 14 Hunter, 10 International.
  4. Series – Two games shot in a round.
  5. League – A number of teams competing against another in match play.
  6. Team – The basic unit of a league composed of two or more archers and a permissible limit of alternate members.
  7. League Period – Total number of weeks a league will be in competition.
  8. Scratch Score – An archer's actual score before it has been adjusted by a handicap.
  9. Average – Use regular outdoor field handicap system.
  10. Absentee Score – A score shot prior to a league match due to an anticipated absence. Absentee scores may not exceed the archer's average.
  11. Blind Score – A score used for a missing member(s). Blind scores are computed by subtracting five points from the archer's average score.
  12. Team Average – The combined average of all archers on a team.
  13. Team Points – Points a team earns by game and series wins. In league play a team earns one point for each game won. In addition, one point is awarded the team having the highest series total score.

B. League Sanction:

1. Any NFAA chartered organization; club or archery lane may apply for the Outdoor Archery League Program.
2. League sanction will be granted provided:
  - 2.1 The league sessions will be conducted on an NFAA approved range.
  - 2.2 Official NFAA targets are used in official NFAA rounds.
  - 2.3 A league sanction fee of \$5.00 per archer is submitted to NFAA Headquarters.
3. The NFAA, in granting league sanction, will furnish:
  - 3.1 League Sanction Certificate.
  - 3.2 League Secretary instruction guide.
  - 3.3 League forms including team score sheets, team standing forms, team shooting schedules and individual archer handicap or game record cards.
  - 3.4 Individual progression awards.

C. League Formation, Officers and Duties:

1. A temporary chairman should be appointed by the association, club or manager of a commercial archery lane desiring to establish the Indoor Archery League. This chairman will conduct an election of league officers at the initial meeting of league archers. After the election of officers, decisions must be made regarding:
  - 1.1 Number of archers on a team.
  - 1.2 Type of round, NFAA Indoor or Freeman.
  - 1.3 Type of handicap, Team or Individual.
  - 1.4 Substitution rules, Absentee and Blind Scoring.
  - 1.5 Awards, trophies, point money, etc.
  - 1.6 Shooting fees, sanction fees and manner of payment.
2. Management of the leagues shall be vested in a Board of Directors, composed of team captains chosen by the respective members of their teams, and the elected officers of President, Vice-President, and Secretary. The Board shall decide any disputes or protests occurring between individuals or teams in league play, and shall render final decisions in regard to interpretation of league regulations.
3. President:

The President shall preside at all meetings and shall act as Range Captain during league sessions. He/she shall have the authority to regulate practice shooting and competition in accordance with official rules and customs, and to maintain safety conditions. He/she will be the final authority in scoring doubtful arrows when requested by a target captain.
4. Vice-President:

The Vice-President will act in the absence of the President.
5. Secretary:

The Secretary is responsible for the proper conduct of the league and shall guarantee league functions in the manner as required by the NFAA; shall collect team shooting fees and keep complete records of league finances; shall compile individual and team scores and compute averages and/or handicaps as required; shall post a record of team standing; shall administer the NFAA awards program; shall post team schedules and make lane and target assignments for each session; shall collect and remit sanction fees to the NFAA; and shall perform such other duties as may be requested of him/her by the President or required by the rules governing the league.

D. League Regulations:

1. League Sanction: Is provided for a continuous league period. Individual archers or teams may be added after the league has started, provided applicable forms and sanction fees are submitted.
2. Eligibility: League shooting will be open to all archers. Individual membership requirements may be imposed by the host organization in accordance with regulations of the state association to which it is affiliated.
3. Targets: The official NFAA Outdoor League target shall be used in all league sessions.

4. Teams: The number of archers on a team will be decided by the league membership at the initial league meeting. An archer may transfer to another team with approval of both team captains and the Board of Directors.
  5. Late Joining Teams: If necessary, teams may be added. However, in team standing, new teams will be scored as losing all previous series.
  6. Handicap Systems: Regular NFAA outdoor handicap system.
  7. Absent Team Members: Absent Team Members: A certain number of team members must be present to compete. Having fewer than the minimum required will result in forfeiting the series. The minimum of archers present for four member teams will be two; for three member teams, one; and for two member teams, one.
  8. League Alternates: Several alternate or substitute archer procedures may be employed. The system selected is left to the preference of the league membership. Once the league has adopted a system there must be no variation unless the league Board of Directors has voted a change.
    - 8.1 A list of league alternates may be on file with the league secretary. Any archer so listed will be eligible to fill in vacancies on any team in the league.
    - 8.2 Each team may carry an additional team member as an alternate. In this instance, the alternate may shoot only if vacancies exist on his team.
    - 8.3 A league may elect not to allow any type of alternate rule.
  9. Absentee Score: A league may elect to allow absentee scores in lieu of or in addition to its alternate rule. An absentee score must be witnessed and may not exceed the archer's average. Points above his average will be dropped.
  10. Blind Scores: A blind score may be used for a missing order. It will be determined by subtracting five points from the archer's average score. This blind score will be used for each game in the current series. Blind scores should not be used for computing future averages.
  11. Late Arrival: A team member arriving before the second game has started may participate in the balance of the game but their score for the first game will revert to blind score procedure. Arrival after the second game has started will disqualify them and blind score procedure will be used for his series.
  12. Divisions of a League: The league period will be divided into first and second halves. All teams will start the second half with zero wins and losses. Individual averages and/or handicaps will be carried into the second half.
  13. League Championship: A shoot-off, one three-game series, between the winner of the first half and the winner of the second half shall decide the League Championship.
  14. Final Event Ties: Will be handled the same as ties are broken on outdoor field rounds.
- E. Shooting Rules:
1. Team Captain: Each team will select a team captain from its members. The team captain shall be responsible for the attendance of the members of their team and for their behavior at all league sessions. They will collect all shooting fees, including those of tardy members, and submit them to the league secretary. They will direct the shooting order of their team, appoint an archer to score and pull the opposing team's arrows and another to record the scores. They shall check and initial score sheets at the end of each session and submit them to the league secretary.
  2. Target Order: Round will be shot according to outdoor shooting, as per round shot.
  3. Target Captain: Team captains shall each act as a target captain on the opposing team's shooting lane and score all doubtful arrows. Their decision will be final unless immediately appealed to the Range Captain.
- F. Awards:
1. Individual Achievement Awards: All archers who shoot in a sanctioned NFAA Outdoor League will be eligible for individual achievement awards as follows:
 

120 patch	200 patch	270 patch
140 patch	220 patch	280 patch

160 patch

240 patch

Perfect Patch

180 patch

260 patch

The first three individual achievement awards won by an archer during a league period will be presented by the NFAA free of charge. Additional awards may be won but a charge to cover the cost of the awards will be assumed by the league sponsor or recipient of the award.

2. A League Championship Pin: Will be presented to each member of a league championship team.
3. Individual achievement awards are available for presentation to all state association sanctioned outdoor tournaments. A charge to cover the cost of the awards will be assumed by the tournament host.

## **ARTICLE IX**

### **Rules Governing the 20 and 15 Pin Awards**

- A. These awards may be won in the NFAA Field, Hunter or International Round, or portions thereof, with a distinctive pin and set of bars for each round.
- B. An archer shall become eligible for these awards upon shooting a twenty score on any field or hunter target or upon shooting a fifteen on any International target on any officially approved NFAA course using official NFAA targets while competing in any of the following tournaments:
  1. The National Field Archery Association Annual Tournament.
  2. Any National Field Archery Association Mail Tournament.
  3. Any Chartered Club or Association Tournament.
- C. Only clubs and associations chartered with NFAA shall be permitted to register tournaments as 20/15 Pin Tournaments.
- D. Only adult, young adult and youth members of the NFAA are eligible and the archer must have his scorecard signed by two witnesses. Application for the 20/15 bar shall be submitted within thirty days, by the archer eligible for the award, accompanied by a fee, sent to the state association secretary or awards chairman. The same procedure is followed for the 20/15 pin award, accompanied by the appropriate fee.
- E. Adult, young adult and youth members of NFAA may earn yardage bars to attach to the 20 Pin Award for scoring 20 on the 20, 35, 50 and 65 centimeter targets and under the rules set up for the 20 Pin Award. The bars shall have the distance shot marked on the bar.
- F. Adult, young adult and youth members of NFAA may earn yardage bars to attach to the 15 Pin Award for scoring a 15 on the 35, 50 and 65 centimeter targets and under the rules set up for the 20 Pin Award. The bars shall have the distance shot marked on the bar.
- G. Upon receiving the pin and entire series of bars in any one style of shooting, the NFAA Perfect Pin shall be awarded an archer upon application and verification of achievements through the state association secretary. Perfect pins are available for the Field, Hunter and International Rounds. No fee is involved in this award.
- H. Adult and young adult members of NFAA may earn an Animal Perfect Pin by shooting a score of 20 or higher on all 14 targets of a 14 target unit for a total score of 280 or higher on a 14-target unit at a registered tournament.

## **ARTICLE X**

### **500 Club and/or Perfect Club**

- A. Any member who records a score of 500 or more, from the adult stakes, on a NFAA Field round or NFAA Hunter round or combination of 14 Field - 14 Hunter, shall be eligible to join the NFAA 500 club. The feat must be accomplished on a NFAA approved course.
- B. Any member who records a perfect score from the adult stakes on an NFAA Field Round or NFAA Hunter Round, or combination of 14/15 Field – 14/15 Hunter, 28 NFAA Animal, or the



- International Round, shall be eligible to join the NFAA Perfect Club. The feat must be accomplished on a NFAA approved course, at a registered tournament.
- C. Any member who records a perfect score on any NFAA official indoor round shall be eligible to join the NFAA Perfect Club. The feat must be accomplished at a registered tournament.
  - D. These awards shall consist of appropriate certificates. Embroidered 500 Club patches or Perfect Club patches are also available, for a fee.
  - E. Application for membership in the 500 Club or Perfect Club shall be made to NFAA Headquarters.
    - 1. Application shall be accompanied by the applicant's score card. The date, location of the course and signatures of two witnesses shall appear on the card.
    - 2. Application blanks shall be supplied by the NFAA Headquarters upon request.

## **ARTICLE XI**

### **NFAA Service Pins**

- A. Cumulative membership in the NFAA shall be recognized by the awarding of an appropriate lapel pin.
- B. Periods of membership indicated shall be 10, 15, 20, 25, 30, 35, 40, 45 and 50 years.
- C. NFAA Headquarters shall award the pins upon application through the state association secretary, or directly to NFAA Headquarters.
- D. Eligibility for service pins shall be determined on the basis of available membership records at NFAA Headquarters and/or those of the affiliated state association, or any other proof of cumulative membership.

## **ARTICLE XII**

### **Art Young Awards**

- A. Game Awards of the National Field Archery Association.
  - 1. There shall be two: The "Art Young Big Game Awards" and "Art Young Small Game Awards".
  - 2. The purpose of the Art Young awards is to promote interest in hunting with the bow and arrow, to encourage good sportsmanship and to give recognition by the organized field archers to their members who obtain game with the bow.
  - 3. Rules:
    - 3.1 All animals must be taken within the laws of the county, state, territory, province or country, whichever is appropriate, and in accordance with the rules of fair chase.
    - 3.2 In order to be eligible for awards, all animals must be reported within (1) one year of the date taken. A handling fee, to be established at the beginning of each year by the Executive Secretary, shall accompany each application.
    - 3.3 The hunter must have taken possession of the animal to receive credit for the award.
    - 3.4 It shall be the responsibility of the hunter to know the legal status of species hunted.
    - 3.6 Animals specified as big game by the NFAA are not eligible for credit in the Art Young Small Game awards system.
    - 3.7 Members who willfully take game out of season, take protected animals or otherwise violate game laws, falsify a claim or deliberately witness a falsified claim shall be expelled from the NFAA and all its programs. An expelled member may petition the NFAA for reinstatement after one year. The Bowhunting and Conservation Committee shall rule on the petition.

- 3.8 An additional award shall not be given for game previously accepted under a prior awards system. (Persons who have amassed a combination of seven or more pins under the original program as of July 1, 1973, and have so requested by January 1, 1974, shall be allowed to continue the original program. The same animals used in claiming any portion of the original Master Bowhunter award may not be used again for awards in another program.)
- 3.9 Any game taken from areas where they are officially designated as “rare” or “endangered” shall be ineligible for awards.

B. Art Young Big Game Awards:

1. Definition of Big Game: All species that are recognized as Big Game by responsible conservation departments in accordance with State, territory, province, country, whichever is appropriate. Reference material such as the “Audubon Society’s series on birds and mammals” may be used. Master species list available from Headquarters: the Bowhunting and Conservation Committee shall review recommendations for additions or deletions to the master list at each bi-annual NFAA meeting.
2. Eligibility: “Art Young Big Game Awards” is limited to members of the NFAA at the time of the kill. There shall be no geographical restrictions, either as to residence of the claimant or to the location in which the game is secured.
3. Claim of Award: Any member of the NFAA wishing to claim the Art Young Big Game pin, or the subsequent awards will apply to the NFAA Headquarters for an application blank, supply the information and evidence called for, and mail it to NFAA Headquarters.
4. Awards: An Art Young Big Game pin and an NFAA Big Game patch shall be given for the first example of each species taken with bow and arrow according to the NFAA rules, for a processing fee. Duplicate NFAA Big Game patches can be obtained by sending in the Big Game application form and appropriate fee.
  - 4.1 An Art Young Big Game pin and an NFAA Big Game patch shall be given for the first example of each species taken with bow and arrow according to the NFAA rules, for a processing fee. Duplicate NFAA Big Game patches can be obtained by sending in the Big Game applications form and appropriate fee.
  - 4.2 An Art Young Big Game pin, NFAA Global patch and a Species group patch shall be given for the first example of each exotic species group taken with bow and arrow according to the NFAA rules, for a processing fee. Each additional species within the group shall receive an Art Young Game patch only. Duplicate NFAA Global patches or species group patches can be obtained by sending in the Big Game application form and appropriate fee.

C. Art Young Small Game Awards:

1. Definition of Small Game. “All legal game shall be recognized for the Small Game Program, including subspecies. Reference materials such as the “Audubon Society’s series on Birds and Mammals” may be used. The Bowhunting and Conservation Committee shall review recommendations for additions or deletions to the master list at each bi-annual NFAA meeting.
2. Eligibility: This shall be the same as for the “Art Young Big Game Award”. If several species are taken within such a (1) one-year period, they may be held and reported at one time. However, no species may be reported more than (1) one year after taking.
  - 2.1 The Art Young Small Game Arrowhead Pin shall be given upon taking the first six species of small game. An Art Young Small Game patch shall be available.
  - 2.2 For each additional four species taken by a member an additional award in the form of a bar with the number four shall be presented to the hunter. There shall be no limit to the number of bars, which may be earned.
  - 2.3 A particular species may not be claimed more than once by any Bowhunter participating in the Art Young Small Game program, except in states that have fewer than three species designated legal small game for bowhunting. At least one

of the animals claimed must be considered “game” by the local conservation department.

D. Bowhunter Awards:

1. There shall be four classes of Bowhunter Awards:
  - 1.1 Bowhunter Pin
  - 1.2 Expert Bowhunter Pin
  - 1.3 Master Bowhunter Pin
  - 1.4 Grand Master Pin
  - 1.5 A cloth patch corresponding to the above Bowhunter awards will be available for an additional fee. A chevron for first degree, second degree and/or third degree will accompany Grand Master Bowhunter Patch.
2. Eligibility:
  - 2.1 A person may be awarded the Bowhunter Pin when he/she has earned the Art Young Small Game arrowhead pin and one four bar, and two Big Game Arrowhead pins.
  - 2.2 A person may be awarded the Expert Bowhunter Pin when he/she has earned the Bowhunter Pin plus one additional four bar and one additional Big Game arrowhead pin.
  - 2.3 A person may be awarded the Master Bowhunter Medal when he/she has earned the Expert Bowhunter Pin plus three additional four bars and three additional Big Game arrowhead pins.
  - 2.4 A person may be awarded the Grand Master Bowhunter Pin when he/she has earned the Master Bowhunter Pin two additional times. He/she will earn one degree each time he/she completed the Master Bowhunter pin requirements; i.e., 1<sup>st</sup> degree master, 2<sup>nd</sup> degree master, Grand Master on 3<sup>rd</sup> degree.
3. Claim of Awards:
  - 3.1 All applications must be made to the NFAA Headquarters. Another NFAA member must make verification that all species, to the best of his knowledge, were legally taken. No application will be accepted by NFAA without such verification.
  - 3.2 A plaque listing all NFAA Grand Master honor roll recipients will be maintained and displayed at NFAA Headquarters.
  - 3.3 All new Grand Master Bowhunters will be recognized at the NFAA bi-annual meeting banquet. A Certificate of Achievement will be given and new honor roll members encouraged to attend the award presentation. Their names will be added to the honor roll of Bowhunters to be displayed at Headquarters. Certificates will be mailed to those members not in attendance.

E. Bowfisher Program and Awards:

1. NFAA Bowfisher of the Year. This program would have six winners. The largest fish in each of the six categories would determine these winners. These species would be shark, carp, gar and ray, pike and tilapia Rules are as follows:
  - 1.1 Must be a member of NFAA.
  - 1.2 There will be six awards. One for shark, gar, carp and ray.
  - 1.3 There will be no charge for entering a fish.
  - 1.4 Entry deadline will be December 31.
  - 1.5 The entrant will furnish NFAA with a picture of the fish next to a measurable object and a signed affidavit by two witnesses stating that they were present at the time of the weighing. Winners will be determined by weight.
  - 1.6 All entries will be inspected by the NFAA to determine the winner. The winners will be notified by postal mail or e-mail.
  - 1.7 The winners will receive an engraved plaque.
  - 1.8 Application shall be available from Headquarters and sectional officers of the NFAA in charge of bowhunting.

2. NFAA Bowfisher Records. This is a program whereby NFAA keeps records of who holds the distinction of having taken the biggest fish of any certain species by means of bow and arrow. Rules are as follows:
    - 2.1 Must be a member of NFAA.
    - 2.2 There will be no charge for entering a fish.
    - 2.3 These records will stand for one year, at which time the NFAA will review all entries and make all necessary changes to update the records list. If no records are beaten, they remain on the list for the next year. These changes will be done by the NFAA Bowhunting and Conservation Committee.
    - 2.4 The NFAA Bowhunting and Conservation Committee will review submissions of fish received during the prior calendar year no later than January 31<sup>st</sup>.
    - 2.5 The entrant must furnish NFAA with a picture of the fish next to a measurable object, and a signed affidavit by two witnesses stating that they were present at the time of weighing.
    - 2.6 New entrants that make the top ten list will receive a certificate.
  3. Patch Program: This program will consist of two different types of patches. One type of patch will be a regular shoulder patch denoting that you are an NFAA Bowfisher. The second patch will be a bar type patch that denotes the type of fish you have taken.
- F. Diamond Buck Award:
1. The Diamond Buck Award will be given for the largest example in two separate categories (typical and non-typical) of mule deer, pacific hybrid, coues deer, whitetail deer and blacktail deer, based on antler measurements. The antlers must be scored by Pope and Young Club or Boone and Crockett methods, and verified by one of these club's official measurers. Applications shall be available from NFAA Headquarters, and from sectional bowhunter directors officers of the NFAA in charge of bowhunting and conservation.
  2. The Diamond Buck Award will be limited to NFAA members in good standing at time of harvest.
  3. Entry deadline will be December 31<sup>st</sup> of the year of harvest.
- G. Application Disapproval:
1. In the event an application is disapproved the hunter has the right to petition the NFAA Bowhunting and Conservation Committee Administrative Chairman. The petition must be in writing and must state the facts of the claim. It shall be the responsibility of the review committee to study the applicable game laws and the petition and make a recommendation to the Bowhunting and Conservation Committee. The chairman shall appoint the three-man committee to rule on the claim and act on the claim within sixty days.
  2. The results of the petition shall be kept confidential, but the ruling shall be sent in writing to each member of the committee, the NFAA Headquarters and the petitioner.

## **ARTICLE XIII**

### **Rules for Compton Medal of Honor**

- A. The NFAA Medal of Honor shall be known as the Compton Medal of Honor, and it shall be bestowed sparingly and only in recognition of outstanding and unselfish contributions to archery in any of its phases.
- B. To the end that the Compton Medal of Honor shall for all time retain its place as the most highly esteemed award in all archery, the safeguarding of its future will be entrusted to a committee of three NFAA members who must have been members for ten years and one former Compton Medal of Honor recipient selected by the President. The members will be appointed to three-year terms on a rotation basis, with one new member being appointed each year.
- C. The Medal of Honor committee shall be free of all restrictions as to their choice of recipients except:

1. That the Compton Medal of Honor shall not be bestowed upon any elected officers of the association during his tenure of office, and:
  2. That their deliberations will be held in strict confidence which shall not be violated.
- D. The President of NFAA shall be the honorary chairman of the committee, with the following duties and authority:
1. He shall appoint from among the committee members an acting chairman to serve in that capacity for one year, thus providing for rotation of the acting chairmanship.
  2. He shall have the sole authority to decide for, or against, such candidate only as may be reported to him by the acting chairman as having a majority, though less than unanimous support of the members of the committee.
  3. He shall accept a unanimous recommendation by the committee as mandatory upon him to order the bestowal of the Compton Medal of Honor.
  4. He shall prepare, or have prepared, a citation in accordance with the committee's unanimous choice, or with his affirmation of the committee's majority recommendations, as the case may be.
- E. In conjunction with receiving the Compton Medal of Honor and lapel pin, the recipient will automatically be awarded an Honorary Lifetime Membership.
- F. The Executive Secretary shall be responsible for the custody of the dies for the Compton Medal of Honor and lapel pin and shall pay out of the treasury the costs of the striking and engraving of such replicas of the medal and pin when directed by the President.
- G. A copy of these regulations shall appear in each issue of the NFAA Constitution and By-laws booklet.

## **ARTICLE XIV**

### **NFAA PRESIDENTS AWARD**

- A. The NFAA President's Award shall be known as the second highest award bestowed by the NFAA and it shall be conferred sparingly in recognition of outstanding service to the archery community.
- B. The recipient of the NFAA President's Award shall be chosen solely by the current President of the NFAA, hence the name, "President's Award".
- C. The Executive Secretary shall be responsible for maintaining a reasonable inventory of the President's Award.

## **ARTICLE XV**

### **Rules Governing the Award of the Medal of Merit**

- A. The NFAA Medal of Merit shall be bestowed sparingly in recognition of unselfish contributions to field archery and its closely allied activities. The inscription, "Opera, Artes, Honor" (Works, Skills, Honor) which appears on the medal, shall serve as the measure.
- B. Worthy members of the NFAA may be nominated for the Medal of Merit by any one of the following methods:
  1. On behalf of the member's State Association; with endorsements by both the Association's NFAA Director and a majority of the Association's legislative or governing body (e.g. Board of directors).
  2. On behalf of the member's Section; by the Section Councilman or any NFAA Director in that Section, and with endorsement by a majority of the Section Directors.
  3. On behalf of the NFAA Council; by any member of the Council or any Special committee Chairman.

All nominations shall be treated with confidentiality and discretion; and in no case shall the nominee or nominee's kin be privy to the nomination or approval process. The nomination, accompanied by the appropriate qualifications and rationale, shall be submitted to the NFAA Executive Secretary in a timely manner. An individual may be awarded only one Medal of Merit for all time.

- C. After verifying that the nomination meets the criteria of Section B, the NFAA Executive Secretary shall distribute the nomination information and ballot to the NFAA Council, which, after discussion and investigation, shall vote aye or nay, in physical meeting, telephone conference, or by mail. Once a two-thirds majority aye vote is attained, the Executive Secretary shall then have the medal engraved and forwarded to the sponsoring organization for presentation.
- D. The NFAA Executive Secretary shall be the custodian of the dies for the medal, lapel pin and the archives of the award. The initial cost of design, striking and engraving shall be paid out of the treasury of the NFAA.
- E. The name of the sponsoring organization making the award shall be engraved on the medal.
- F. A copy of these regulations shall appear in each issue of the NFAA Constitution and By-laws book.
- G. A plaque listing all NFAA Medal of Merit recipients will be maintained and displayed at NFAA Headquarters.

## **ARTICLE XVI**

### **The Order of the Bone**

- A. Members of this order shall receive an award pin and a membership card.
- B. Members shall be chosen by a committee to be appointed by the President of the NFAA.
- C. Requirements for membership'
  - 1. Be a member in good standing of the NFAA.
  - 2. Pull a conspicuous "boner" pertaining to archery hunting.
  - 3. Write or cause to be written a full account of events leading up to and following said "boner" in publishable story form. Whenever possible, articles will be selected to appear in the official publication, although you may win the award and not have your article published due to lack of space. Stories should be mailed to NFAA Headquarters and should include the date the boner was committed.

## **ARTICLE XVII**

### **Fellowship of Robinhood**

- A. Any member who telescopes an arrow, previously lodged in the highest scoring area of a target during an NFAA sanctioned event, shall be eligible for recognition in the Fellowship of Robinhood.
- B. The award shall consist of a certificate in old English text.
- C. Applications shall be made to NFAA Headquarters.
  - 1. Applicants shall describe the general circumstances of the shot, including the date and the signature of one witness on the scorecard which must be submitted with the application.
  - 2. Application blanks shall be supplied by NFAA Headquarters upon request.

## **ARTICLE XVIII**

### **Club/Shop Charter And Course Approval**

- A. Club/Shop Charter Procedures:
  - 1. NFAA charter and continued affiliation authorizes automatic sanction of state association tournaments for all official NFAA rounds conducted by the club, provided such rounds are held on an approved NFAA indoor or outdoor facility and provided they conform to Articles I, II, III, IV and VI of these By-laws. Sanction shall mean that said round is conducted by the NFAA or through its recognized state affiliate; when said round is held on a NFAA approved facility using official NFAA targets; and when said round conforms to Articles I, II, III, IV and VI of these By-laws.

2. An archery club having a minimum of five (5) Head of Household members, meeting requirements in NFAA Constitution Article III, Section A, Paragraph 2 or 3, may be chartered with the NFAA upon approval of the state association and the NFAA Director who has jurisdiction. A club/shop charter may be granted by the NFAA only after prior approval of the state association and NFAA Director. No club/shop, meeting NFAA minimum requirements, shall be denied membership to the NFAA unless special circumstances occur. A petition to deny membership must be filed by the state and approved by the Council.
  3. Application for charter will be made in triplicate, and along with the proper fees, shall be forwarded to the state association secretary. After approval by the state association all three copies will be forwarded to the NFAA Director for review. Upon granting his approval the NFAA Director will affix his signature, forward one copy to NFAA Headquarters, return the second copy to the state association secretary, and retain the third copy for his records. Upon receipt of properly executed application and charter fee at NFAA Headquarters the Executive Secretary is authorized to issue the charter. Effective date of the charter will be shown as the date of approval by the NFAA Director.
  4. A newly chartered club will pay a \$30.00 fee to charter with the NFAA and have a Constitution and By-laws that is in compliance with the State requirements. A newly chartered Shop will pay a \$30.00 fee to charter with the NFAA. After establishing charter, continued affiliation will be maintained through the state association and the NFAA Director.
  5. Sixty days prior to expiration of club/shop charter, the NFAA shall provide the club/shop with a charter renewal form in triplicate and a list of these clubs/shops will be sent to the state secretary and NFAA Director. Upon successful renewal of NFAA Charter, the state secretary will forward one copy of NFAA Headquarters of the completed form with a \$30.00 renewal fee, one copy to the NFAA Director and retain the third copy. Upon receipt of the approved renewal form and renewal fee at NFAA Headquarters, their charter will be extended for an additional year. If a Club/Shop changes their Constitution and By-laws within the year they will send a copy along with the charter renewal to the State Secretary and the NFAA Director. Failure to renew their charter by the last day of the month in which the club/shop charter expires, shall result in the club/shop being dropped from the active rolls of NFAA.
  6. If a State Association is unable to process the charter application within thirty days of receipt, NFAA headquarters is authorized to accept the application and issue the charter. The State Association will be contacted for approval, and if the application is denied by the State Association, NFAA will immediately revoke the charter and notify the endorsed insurance carrier of the situation.
  7. When possible, place in a prominent place in all state NFAA sanctioned clubs, a NFAA bulletin board, upon which the clubs NFAA shoots, a membership application should be placed. The NFAA logo or NFAA flag should accompany this bulletin board.
- B. Course Approval Procedure:
1. The NFAA recognizes as official only tournaments held on NFAA approved courses and makes no awards for competition on any other course. The NFAA Director, or his designated representative must inspect courses. Any one that is designated to represent the Director must be a member in good standing of the NFAA.
  2. Any NFAA chartered club/shop having a range will have it inspected for safety by the NFAA State Director or his designated representative every two years. When inspecting a Bowhunter range the NFAA Director will use the course layout regulations and the safety regulations that pertain to a marked or unmarked Bowhunter range.
  3. To get a course approved, by the NFAA, the club secretary/shop manager must contact the NFAA Director for that geographical area. The Director will provide the necessary forms and arrange for inspection. The Director or his designated representative must conduct the

- inspection. Inspection forms shall be made in triplicate, with one copy being retained by the club, one retained by the Director, and one forwarded to NFAA Headquarters.
4. The NFAA Director or his/her delegate shall be reimbursed at the current NFAA rate by a club/shop or association for travel incurred to inspect their course/range.
  5. After inspection has been made, the NFAA Director or his delegate has been reimbursed for travel incurred, and the completed forms have been reviewed and signed by the NFAA Director or his designated representative, they shall be forwarded to NFAA Headquarters, together with the \$15.00 course approval fee. This fee covers either an outdoor range approval or an indoor range approval. The club/shop shall then be issued the appropriate course rating certificate(s).
  6. If course approval is completed within a month period from the effective date of new charter, no fee will be required for the initial approval.
  7. Course approval shall expire two years from the date of issue except when a change is made in the course, or a higher rating is desired. In each instance, a new course approval must be obtained. Procedures as outlined in subsections 3 and 4 of this section must be followed. The \$15.00 course approval fee will apply.
  8. The Club secretary, Association secretaries or Shop Owner/Manager shall be notified by NFAA Headquarters four (4) months prior to expiration of their course approval. If successful inspection and approval has not been completed prior to the date of expiration, the NFAA Executive Secretary shall notify the Club Secretary, Shop Owner/Manager, the State Association Secretary and the NFAA Director that the range is no longer an approved range.
  9. Course approval may be withdrawn at any time when, in the opinion of the NFAA Director, a condition falls below the standards for the rating awarded.
  10. Revocation or expiration of course approval shall mean that no NFAA sanctioned events may be conducted on the course.
  11. NFAA Star Rating: To receive a rating of ONE STAR, a course must meet all the requirements listed in 13 below. A one star course rating represents compliance with minimum requirements. A one star course rating is not considered satisfactory for tournament competition. No tournaments can be registered and no NFAA awards allowed for any scores shot on a one star course.  
A TWO STAR COURSE rating will require compliance with 12 and 13 below, plus the requirements of 70 BONUS points from 14 below.  
A THREE STAR COURSE rating will require compliance with 12 and 13 below, plus the requirements of 190 BONUS points from 14 below.  
A FOUR STAR COURSE rating will require compliance with 12 and 13 below, plus the added requirements of 250 BONUS points from 14 below.  
A FIVE STAR COURSE rating will be granted to any four star course provided there is at least one 14 target unit which readily lends itself to TV filming, plus the added requirements of 300 bonus points from paragraph 14 below.  
A TV RANGE should be more than a regular roving range. It should lend itself to TV filming in a manner, which would allow the cameraman to cover more than one group or target at a time. It should be at least one 14-target unit. Several recommended configurations of a TV range would include:
    - 11.1 Target shot of a road, trail or field where the shooter shoots the target and returns to the road/trail/field.
    - 11.2 Targets set in a semi-circle, straight line or "V" configuration in a field.  
The TV portion of the range may be the complete range or, if part of a larger range (such as 14 or 28 targets) should be an integral part recognizable as such.Course rating of TWO, THREE, FOUR, and FIVE stars makes the course eligible for tournament competition, registration, and NFAA awards. The optional Cub and Animal Round shooting positions as well as Youth shooting positions, when present, must be up to standards and become a regular requirement of the inspection.



12. Course Layout Requirements:
  - 12.1 Distances used shall be those given in the current edition of the NFAA By-laws.
  - 12.2 All distances shall be correct and no deviation is permitted. Inspectors will check any distance in question with a tape or other means. The clubs shall tape all targets from shooting position to target butts.
  - 12.3 All butts must be stable so there is no danger of tipping. If such a chance exists, then they must be braced or anchored.
  - 12.4 Shooting lanes must be cleared so that the lightest bows can shoot an arrow to the target without being deflected.
  - 12.5 Any person, regardless of height, must have a clear view of the full face of the target.
  - 12.6 If the target is not backstopped, one-half the target distance shall be cleared behind the butt. If backstopped, or ditched, then the area to such back-stop shall be cleared so that arrows may easily be found.
  - 12.7 Area one-fourth the shooting distance shall be cleared in front of the butts.
  - 12.8 Paths between targets should be clearly marked and clear enough for easy walking with no obstruction, preferably so that archers can walk two abreast. If the inspector has any difficulty finding their way, this must be remedied. Paths should preferably be at the side of the shooting lane.
  - 12.9 Shooting position shall be marked with target numbers, or separate target number marker shall be present and shooting stake color uniformity; Field-White, Hunter-Red, Animal-Yellow, Cub-Black, Youth-Blue.
  - 12.10 Bales or butts must not leak arrows. They shall not be reinforced with any material that will damage arrows.
  - 12.13 The course shall provide appropriate rest room facilities. It is most desirable that these rest rooms should meet the minimum requirements provided by the laws of their state or townships. Such requirements can be obtained from the local county Board of Health. Due to the condition of many of these facilities, city or county Board of Health affidavits should be required. A privy law is on the books of every state of the nation. Each city, county and township also has its own requirements and very often is more strict than the state's.
13. Safety Requirements:
  - 13.1 No course shall receive approval until all safety hazards, in the opinion of the inspector, are removed.
  - 13.2 No paths leaving targets shall go directly behind butts.
  - 13.3 If target butt is situated so that any path, target, road or building are behind at any reasonable distance, then the target must be provided with an adequate backstop.
  - 13.4 Practice area must be placed so that no paths or roads pass a reasonable distance behind practice butts. e) Practice area shall be treated as a giant sized target, and so cleared and backed.
  - 13.5 A minimum ranging from 25 feet to 50 feet must be provided between any paths or shooting lanes paralleling another shooting lane. This minimum range permits tolerance to be used, depending upon terrain, length of shot, and any distance used must preserve absolute safety.
  - 13.6 Distance on either side of a target to be free from archers shall range (depending upon conditions and length of shot) from 15 to 30 degrees from the shooting position. Example: For a 40-yard target; 120 feet, tangent 30 degrees, equals 120 X (0.57735) equals 68 feet clear distance on each side of the butt (about 23 yards). (If 30 degrees is used, then factor is always 0.57735). This does not mean all clear, but only that no shooting positions, waiting areas, etc., be located in this area.
  - 13.7 No target shall be situated on top of a hill where a miss becomes a flight arrow.
  - 13.8 SAFETY REQUIREMENTS FOR INDOOR ARCHERY RANGES:

- 13.8.1 All pillars or structural parts of the building, including automatic equipment, which in the eyes of the inspector would present an undue hazard shall be properly protected so as not to damage arrows and to prevent rebound to the shooting lines.
- 13.8.2 The area behind the target butt shall be protected so as not to damage overshot or side-shot arrows. The backstop material shall extend to a minimum height of 8 feet from the floor.
- 13.8.3 Bow racks and other accessories shall be of a design and position so as not to create a hazard to either equipment or personnel.
- 13.8.4 Automatic butts returning with arrows imbedded shall stop without creating a hazard to archers on the shooting line (between 30 to 36 inches from the line).
- 13.8.5 Ranges with movable equipment shall have a warning system in the event anyone should advance to the target. Once a participant has passed the shooting line in the direction of the target, the alarm system will activate. Alarm systems may be bells or horns audible to the entire range.
- 13.8.6 Walk-up ranges shall have a sign posted stating that no one shall advance to the targets until an appropriate signal is given. The signal may be a switch-operated device or a manual signal. The sign shall be conspicuous from the shooting stake. No size required.
- 13.9 STANDARDS FOR INDOOR ARCHERY RANGES:
  - 13.9.1 Target butts may be made of straw, excelsior or any other material which in the eyes of the inspector would not be damaging to the arrows and yet provide suitable stoppage.
  - 13.9.2 Butts shall not be made of material which, in a short time, will allow the passage of arrows.
  - 13.9.3 At any time butts begin to allow pass-through arrows, the condition shall be corrected at once.
  - 13.9.4 Each butt shall be large enough to carry the needed target faces for the round being shot. Each shall have sufficient backing without overlapping one another. The minimum size shall be 40" square or 48" in diameter. A deviation in minimum size will be permitted in those club-type operations where each archer is assigned his own butt providing it is large enough to fully support a 40-cm. target face.
  - 13.9.5 There shall be at least one face (or set) on the butt for each archer shooting on that line.
  - 13.9.6 The distance from the floor to the bottom of the butt shall be 16" minimum.
  - 13.9.7 Ceiling to floor distance shall be a minimum of 8'6". Each shooting lane shall be 24" minimum.
  - 13.9.8 Movable equipment shall be capable of stopping the target at the following distances, plus or minus 4", 20, 15 and 10 yards. 55, 50, 40, 35, 25 and 20 feet.
- 13.10 LIGHTING FOR INDOOR ARCHERY RANGES:
  - 13.10.1 The illumination on the target shall be situated and placed so as not to allow the light rays to be directed toward the shooting line. At no time will direct light rays be allowed to be in view of the archers so as to disturb his/her shooting.
  - 13.10.2 The acceptable amount of light on the targets has been established at 30 foot candles. Indoor ranges should maintain a 30 foot candle lighting illumination.

The Executive Secretary of the NFAA may allow deviations to certain rules listed herein except those listed under safety on the recommendation of the inspector. Any such deviations allowed shall be stated on the approval certificate on display.

14. Bonus Points:
  - 14.1 GROUP I:
    - 14.1.1 Cleanliness: If ranges and all facilities are clean and neat, and provided with trash disposal cans, fresh paint, etc. - 10 points.
    - 14.1.2 If range paths are wide, cleared and mowed - 5 points.
    - 14.1.3 Road: Passable the year round - 5 points.
    - 14.1.4 Practice Area: Balanced to size of club, especially set-up, cared for, and provided with good shootable bales and backing - 5 points.
    - 14.1.5 Camping Area: Specially set up and designated- 5 points.
    - 14.1.6 Parking Area: Specially arranged so that it is more than just open area (leveled, signs, etc.) - 5 points.
    - 14.1.7 Picnic Area: A picnic area shall consist of mowed area, 1 picnic table, 1 grill or fireplace, and trash can - 10 points. (Two points for each additional picnic table and/or grill).
    - 14.1.8 Extra directional signals, signs, etc., on range and ground- 5 points.
    - 14.1.9 Club entrance sign - 10 points.
    - 14.1.10 50% of club archery membership NFAA members - 15 points.
    - 14.1.11 100% of club archery membership NFAA members (10 members or more) - 20 points.
    - 14.1.12 Shooting stake color uniformity - 10 points. (Field-White; Hunter-Red; Animal-Yellow; Cub-Black; Youth-Blue).
    - 14.1.13 Shooting lanes wide enough to accommodate 4 shooting positions, so 4 archers may shoot at one time on all targets- 20 points.
    - 14.1.14 NFAA members in club over 100 – 10 points; over 200 – 20 points; over 300 – 30 points.
  - 14.2 GROUP II:
    - 14.2.1 Children’s play area separated by fence, etc. - 5 points. Swings, 2 points each; Sandboxes, 2 points each; Slides, 2 points each.
    - 14.2.2 Club bulletin regularly published - 10 points.
    - 14.2.3 Club signs and decorations at the entrance - 5 points.
    - 14.2.4 Safe drinking water - 15 points.
    - 14.2.5 PA System - 5 points.
    - 14.2.6 NFAA approved instructor - 10 points.
    - 14.2.7 Club or dealer arrangement for selling equipment- 5 points.
    - 14.2.8 Regularly scheduled club events, shoots, parties, picnics, etc. Allow one point per activity with a maximum of 10 points.
    - 14.2.9 Regularly scheduled Junior Program (Junior Olympics, etc.)- 5 points.
    - 14.2.10 Club-owned land - 20 points (1 point for every two acres).
    - 14.2.11 NFAA Liability Insurance - 10 points.
  - 14.3 GROUP III:
    - 14.3.1 Kitchen facilities (building) - 10 points.
    - 14.3.2 Separate broadhead range, sand banked - 20 points.
    - 14.3.3 Bow racks on range and general area - 5 points.
    - 14.3.4 Benches and seats on range, ¼ point per target - 7 points.
    - 14.3.5 Double toilet facilities, over and above the minimum requirements: neat, clean and sanitary - 10 points.
    - 14.3.6 Paid caretaker - 15 points.
  - 14.4 GROUP IV:
    - 14.4.1 Storeroom: Building for supplies - 5 points.
    - 14.4.2 Running water in facilities - 5 points.

- 14.4.3 Club house at range - 20 points.
- 14.4.4 Club house heated - 10 points.
- 14.4.5 Electricity to facilities - 10 points.
- 14.4.6 Extra shooting facilities - Short course (Children's course or practice course) - 5 points.
- 14.4.7 Electricity lighted: Practice area - 5 points; one 14 target unit - 15 points; parking, picnic area, etc. - 5 points.
- 14.5 GROUP V
  - 14.5.1 Two 14 target units - 10 points
  - 14.5.2 Three 14 target units - 15 points
  - 14.5.3 Four 14 target units - 25 points
  - 14.5.4 Six 14 target units - 40 points
- 15. Course Approval: MARKED OR UNMARKED INSPECTION REQUIREMENTS
  - Safety requirements:
    - 15.1 No course shall receive approval until all safety hazards, in the opinion of the inspector, are removed.
    - 15.2. All range inspectors MUST be members of the NFAA.
    - 15.3. No paths leaving target shall go directly behind targets.
    - 15.4. If target is situated so that any path, target, road or building is behind at any reasonable distance, then the target must be provided with an adequate backstop.
    - 15.5 Practice area must be placed so that no paths, roads, pass a reasonable distance behind practice butt. Practice area shall be treated as giant sized target, and so cleared and backed.
    - 15.6 Targets should be placed in shooting lanes to simulate hunting conditions, but at the same time these shots should be good, clean (not clear) and safe shots. Remember, realistic bowhunting practice shots.
    - 15.7 If an arrow is lost, the archer may search for their arrow a maximum of 25 yards behind the target. The shooter should place their bow across the shooting lanes in plain sight, or stand their bow in front of the target butt and/or 3-D animal.
    - 15.8 A minimum distance ranging from 25 to 50 feet must be provided between any paths or shooting lanes paralleling another shooting lane. This minimum permits tolerance to be used, depending upon terrain or length of shot. Any distance used must preserve absolute safety.
    - 15.9. A minimum of 50 yards must be provided behind the target. An appropriate backstop may be substituted.
    - 15.10 Distance on either side of a target, to be free from archers, shall range (depending upon conditions and length of shot) from 15 to 30 degrees from the shooting position. [Example: For a 40 yard target, 40 yards times tangent of 30 degrees (0.57735) equals about 23 yards clear distance on each side of target butt.] This does not mean all clear, but only that no shooting positions, waiting areas, etc., be located in this area.
    - 15.11. No target shall be situated on top of a hill where a miss becomes virtually a flight arrow.
    - 15.12 It is mandatory that on a Bowhunter/3-D range, the range inspector must be provided, at the time of inspection, with a map of the range layout which will be used for the inspection. Also if an accident occurs during the shoot this may be used for Insurance purposes. A map shall show distances, direction, targets and shooting positions.
    - 15.13 Archery range safety warning signs shall be posted on all approved NFAA 3-D ranges at the inspector's discretion.
    - 15.14 If simulated moving targets are incorporated into the range they will be operated from behind the shooting position.

## **ARTICLE XIX**

### **NFAA Hall of Fame**

- A. The NFAA Hall of Fame will honor those individuals who have exhibited by their deeds, leadership and effect on archery in any or all of its forms, that quality that makes them stand out among their peers.
- B. The inductee to the NFAA Hall of Fame must be an NFAA member (except in the case of the Compton Medal of Honor recipients) or have been an NFAA member during the time of the action(s), making him/her a candidate for induction, occurred.
- C. Recipients of the Compton Medal of Honor, NFAA's highest award, will automatically be inducted into the NFAA Hall of Fame.
- D. Initial Hall of Fame 3 member committee shall be appointed by the President as follows: 1 member to serve for 3 years, 1 member to serve 2 years, and 1 member to serve 1 year. Thereafter the members will be appointed on a 3-year rotational basis, with 1 new member being appointed each year. In order to sit on this committee you must have been a member of NFAA for a minimum of 10 years.
- E. Inductees into the NFAA Hall of Fame, other than as stated in Paragraph C above, will be selected as follows:
  - 1. All nominations for the Hall of Fame must be by a sponsor.
  - 2. All nominations must contain a detailed resume of the individual.
  - 3. All nominations will be held in the strictest confidence by the Hall of Fame Board of Directors.
  - 4. Election into the Hall of Fame will be by a majority of the Hall of Fame Board of Directors.
  - 5. All voting shall be by secret ballot.
  - 6. No results of the voting will be given to anyone outside the Hall of Fame Board of Directors.
  - 7. The sponsor will be notified that the individual has, or has not been elected.
- F. Pictures and a description of their achievements of all inductees will be displayed at NFAA Headquarters.

## **ARTICLE XX**

### **Amendments**

The By-Laws may be amended or revised by a two-thirds weighted vote of the Board of Directors as voted at a physical or electronic meeting, by mail ballot, or by the Board of Directors at an emergency meeting called by the NFAA President. At an emergency meeting called by the NFAA President, the weighted two-thirds vote must be two-thirds of the full NFAA Board of Directors.

## **ADDENDUM**

- I. Opinions and Interpretations  
NFAA CONSTITUTION AND BY-LAWS  
Interpretation and opinions from either the chairman or parliamentarian during the Bi-annual Meeting will appear in a reference section of the minutes of the Bi-annual Meeting.

## NFAA POLICY SECTION

### GENERAL POLICY

**BDC-8-1980** Clarification, “The written word and not the intent be used to interpret the Constitution and By-laws items.”

**1984 Definition:** The NFAA Directors asked the Council to define residence and the following is the definition that they agreed upon. “Resident as applies to NFAA Membership shall be declared by individual applying for membership in the NFAA.”

**1988: Suggestions for Laying out a Permanent Bowhunter 3-D Range:**

1. Lay out your range so that you have a minimum of 10 to 30 yards more than the shortest distance you would want to shoot. Put a permanent stake where your target will be placed. This will allow you to vary between tournaments or rounds and still stay within the safety requirements of the NFAA.
2. Check the above safety requirements from the longest shooting position possible. This will assure our staying within the requirements at any distance.
3. By using either the interrupted linear or the interrupted continuous layouts, you can see the amount of shooting positions which are possible. Because of the construction of these ranges, shots can be made from many angles to the target, from the trail and up to the target. In the continuous direction range, must be strictly adhered to.

**1991: Outdoor National tournament**

The National Outdoor Tournament will be awarded on a rotational basis, when possible, between the West, Mid and East United States areas. If no bids are received for a given year, the next region in line will be accepted. Rotation will also be affected if the bid is considered not to be acceptable. This action to be effective in 1992.

**2006: Outdoor National Tournament**

The preferred format for the Outdoor National Tournament shall be five days, Monday through Friday, with flights determined after the second day. Where an acceptable five day host club bid is not available, the NFAA Council will consider a host for a three day format, with flights determined after the first day.

**2012: Outdoor National Tournament**

Grouping for 3/5 day Outdoor National Tournaments for days 4 and 5 will have archers shooting with their competitive peers. On day 4, archers with only an Animal Round score will be grouped with archers who shot similar Animal Round scores in their division. On day 5, archers with only two scores will be grouped with other archers based on Animal and high Field/Hunter round scores.

**2006: Effective 2008:** The Outdoor National Tournament will be a 3/5 day format. Rounds will be Field, Hunter, Animal, Field, Hunter, in that order. Five-day shooters will shoot all five days, and count their Animal Round score and only their better Field and better Hunter Round scores.

**1996: The NFAA Novelty Field Round**

The Targets:

\*15 cm-15cm. Outside diameter, with an outer black ring lying within 15 cm and ending at 10 cm scored 3.

A white “4” ring from 10- cm to 5 cm.

A black “5” ring from 5 cm down to and including the white “X”.

A white “X” ring (scored 5) of 2.5 cm with an “X” in the middle, 30cm-30cm outside diameter, with an outer black ring lying within 30 cm and ending at 20 cm, scored 3.

A white "4" ring from 20 cm to 10 cm.

A black "5" ring from 10 cm down to and including the white "X".

A white "X" ring (scored 5) of 5 cm with an "X" in the middle.

45 cm-45 cm outside diameter, with an outer black ring lying within 45 cm and ending at 30 cm, scored 3.

A white "4" ring from 30 cm to 15 cm.

A black "5" ring from 15cm down to and including the white "X".

A white "X" ring (scored 5) of 7.5 cm with an "X" in the middle.

60 cm-60 cm outside diameter, with an outer black ring lying within 60 cm and ending at 40 cm, scored 3.

A white "4" ring from 40 cm to 20 cm.

A black "5" ring from 20 cm down to and including the white "X".

A white "X" ring (scored 5) of 10 cm with an "x" in the middle.

#### The Round

The archer will shoot 3 arrows at each of the following distances at the targets noted. There are 10 targets per half, 20 per round; for a total of 60 shots (same as indoor). Possible score = 300 + 60 X's.

The 30 cm target will be used at the following distances: 20, 25, & 30 yards.

The 45 cm target will be shot at the following distances: 35, 40, 45 & 50 yards.

The 60 cm target will be shot at the following distances: 55, 60 & 65 yards.

Similar to the field round, archers shall shoot from opposite sides after the first half (i.e. left to right and vice versa). Also, the first shooters will shoot bottom targets (on the 30 cm faces), the second shooter(s) shall shoot top targets and change at the half.

4 target faces will be available to shoot whenever the 30 cm size is used. A single target face is used at all other distances, with the option of double-targeting the 45 cm faces.

\*This size face was initially developed in case this target would some day be considered as a replacement of the current field faces.

Option #2:

These targets could be adopted to replace the current field round targets.

#### 1996: Combination 3-D Animal and Field or Hunter Round

##### 1. STANDARD UNIT:

This round is to be shot on existing 14 unit field, hunter & animal ranges. It will consist of 7 marked 5/3 or 5/4/3 field or hunter targets and 7 3-D unmarked distance animal targets.

##### 2. Targets:

The targets will be put out on the existing range in the following manner; it makes no difference in what distance sequence the range is laid out. The first target will have either a field or hunter face. This will be at the discretion of the tournament chairman. The second target will have a 3-D animal target. The animal target will be set in a direct line at an unmarked distance somewhere between the furthestmost animal stake and the existing target butt. The target is to be set in this direct line for safety purposes. Target number three will again be either a field or hunter target. Target number four will be another 3-D animal set as described above for number two. This rotation sequence between field or hunter and 3-D animal targets will carry out through the 14 target unit, or 28 target unit, however the range is laid out.

##### 3. Scoring:

3.1 When shooting either the field or hunter targets, you will shoot four arrows from the stakes that you would normally shoot that particular target from. Scoring each arrow either a 5/3 or 5/4/3/ just as you would in a field or hunter round.

3.2 When shooting the 3-D animal targets, you will shoot two arrows from the furthestmost animal stake. You will score both arrows. Scoring will be 10 for a kill and 8 for a wound.

- 3.3 In using the above scoring system it will be possible to shoot a perfect score of 280, which is comparable to the scoring system for our three existing 14 target units.

**1996: Pee Wee Classification**

1. This classification is established for archers under 8 years of age and is optional at State and Club level. This division will not apply to Sectional and National levels.
2. Pee Wee shooting positions shall be marked with green stakes.
3. The Pee Wee’s handicap must be established entirely on the Pee Wee course and is not applicable to or from any other course.
4. Pee Wee official target units shall consist of :

Adult Field Yardages	Pee Wee Yardages	Field	Hunter	Animal
20-35 ft	5 yds	20 cm	20 cm	4
15 yds	5	35	35	4
20	5	35	35	4
25	5	35	35	4
30	5	35	35	3
35	10	50	35	3
40	10	50	50	3
45	10	50	50	3
45 w/up	10	50	50	2
50	15	50	50	2
55	15	65	50	2
60	15	65	65	1
65	15	65	65	1
80 w/up	15	65	65	1

**2001: The Official NFAA Youth Instruction Programs** shall be the Development in Archery for Youth Shooters Program (D.A.Y.S.) and the Junior Bowhunter Program. 2004 Amendment: Schools may charter their National Archery in the Schools Programs with NFAA for a fee of \$15. This charter will provide the school with the DAYS Program and three copies of each issue of Archery Magazine.

**1999: 3-D National Tournaments**

At all NFAA 3-D National Tournaments, the Bowhunting committee will have a representative present along with a booth for the promotion of the NFAA Bowhunting programs.

**1999: 3-D Targets**

Disposing of 3-D targets shall be at the discretion of the President. 3-D targets in excess of contractual requirements will be sold for cost plus a minimum of \$10.00 each.

**1999: Additions or Amendments to the Policy Section**

All additions or amendments to the POLICY SECTION will require a SIMPLE MAJORITY WEIGHTED VOTE.

**2000: The NFAA will provide liability coverage** for all Officers, Councilmen, Directors and/or their designees; for any action while acting in their capacity for NFAA.

**2000: The NFAA recognizes the rights of other organizations** and recommends that our members learn the rules and regulations for the organization that they intend to shoot in.

**2013: Selection of World Team**

1. The President will appoint an individual to select and manage NFAA archers attending IFAA World Championships. Team members will be chosen from the champions of the previous calendar year NFAA Outdoor Field tournament, with the exception of Bowhunter Freestyle Limited, Bowhunter, and Longbow. These three styles can qualify at the previous calendar year North American Field Archery Championships (NAFAC). If these three styles are not qualified at NAFAC then past NFAA Champions will be selected.
2. A predetermined set amount, set by the Council, will be paid to each member to help with expenses.



3. The World Team shall be submitted to the President, Vice President, and the Executive Secretary for final approval.
4. The team shall be supplied with Team Shirts to be worn during the opening ceremonies and while receiving awards.

**2001: When changes are made to the NFAA Constitution and By-Laws**, a black vertical line will be placed in the column adjacent to the item being added, revised or deleted. The line will be placed in the Constitution and By-Laws for one edition.

**2003: A National Youth Tournament** shall be provided beginning in the year 2005 at a time and place to be determined by 2/3 majority vote of the NFAA Council. Accepted bids for National Tournaments will be sent to the host state Director at least 15 days before contracts are signed, and copies must be available at NFAA Headquarters for inspection. Special rules, classes, awards, and novelty events will be determined by the Youth Committee and presented to the Directors at the Director's meeting in 2004.

**2005: Uniform Line Judging and Shooting Rules**

1. During competition for cash purses at NFAA or other WAF tournaments, there will be two or more line judges present during scoring of the final shoot off.
2. At the time a shooter completes his application to compete, they will be given a printed list of rules regarding shooting and scoring of arrows. Prior to the shooting event, a line judge will go over the rules applicable to the shoot.
3. All NFAA rules will apply to all shoots.

**2006: Accounting for National Tournaments.** Every National Tournament will have a detailed financial accounting for each tournament; i.e., expense costs, profit items (including registration), sale of items, and vendor expense costs and profit. This information will be sent to each Councilman and Director within 30 to 90 days after the tournament ends.

**2006:** At National and Sectional Outdoor Tournaments, spectators may be allowed with a shooting group at the pleasure and permission of the entire group.

**2006:** It should be understood that effective 2006, it will be the NFAA's policy that at any NFAA hosted Championship Tournament, NFAA rules and only NFAA rules and styles will be recognized. This means no separate score cards or targets for other countries or organizations, or scoring methods will be allowed or recognized.

**2012: Archery Magazine.** On the renewal notice, ask the members if they would prefer to receive an e-mail notification that a new copy of the *Archery* magazine is available on the NFAA website as opposed to receiving a printed copy. If they answer "yes", they must provide an e-mail address.

**2013:** The President is authorized, in consultation with the Council, to appoint representatives to participate with representatives of USA Archery and Easton Foundation on an exploratory committee to propose an integrated umbrella organization for the marketing, management and development of archery in the United States.

**2014: NFAA Tournament Officials Program**

3 Levels of Certification: Certified Judge, Advanced Judge, National Judge  
Advanced Judge or National Judge can teach Certified Judge. On-line course with a test to also become a Certified Judge. To become an Advanced Judge, you must be observed by a National Judge who will approve your advancement. The NFAA Council will appoint the initial National Judges and a National Judges Committee. Once formed, it will be the responsibility of this committee to promote Advanced Judges to National Judges. All Judges will have a uniform shirt purchased from the NFAA. Anyone Judging will use NFAA supplies (magnifiers, whistle, lights, shirts, etc.) Costs: \$25 for the Course plus the cost of supplies. NFAA Judges will be required to

be present at National Indoor Tournaments. To advance to Advanced Judge or National Judge, you will also be required to pass a written test. The fee for the test will be \$15.

**2014: The Certified Instructor Program**

NFAA supports both the NFAA Advanced Instructor/Master Coach training program and the National Training System (NTS) developed by USA Archery. The NFAA Advanced Instructor/Master Coach Program is a two tiered program for experienced competitive archers. The two tiers are:

- Advanced Certified Instructor (ACI), with three merit levels: Advanced Level II, Advanced Level III, and Expert Level IV.
- Master Coach, with three merit levels: National Level II, National Level III, and Professional Level IV.

The National Training System is a five tiered program managed by USA Archery. The five tiers are:

- Level 1 Instructor
- Level 2 Instructor
- Level 3-NTS Coach
- Level 4-NTS Coach
- Level 5-NTS Coach

NFAA and USA Archery Joint Certification Agreement:

The NFAA and USA Archery have entered into a “Coach Certified Instructor Program Partner Organization Agreement” in which certain instructor level certifications are “common levels” and recognized by both NFAA and USA Archery. The three lower levels of the NTS; Level 1, Level 2 and Level 3-NTS, are common courses available to members of both NFAA and USA Archery using training materials and criteria managed by USA Archery.

Under the Joint Certification Program, the NFAA and USA Archery will design and format their respective programs and hold the copyright and intellectual property rights to their respective program materials for instructor/coach levels above Level 3. The two Programs will be made available to members of both organizations and the NFAA encourages its member instructors and coaches, who are interested in a broader range of archery coaching, to participate in the NTS Program.

Instructor Certification and recordkeeping for the common instructor levels will be managed by the USA Archery Certification Coordinator. Documentation of those students who successfully complete the certification requirements will be forwarded by the course Instructor to the Certification Coordinator, who will accept that documentation along with successful background screening results and enter the newly Certified Instructor(s) into the USA Archery Instructor/Coach database.

Through the year 2023, current, selected NFAA ACIs and Master Coaches, certified prior to 2014, will be authorized to conduct courses and certify Level 1 and Level 2 instructors. NFAA Instructors and Coaches certified after March, 2014, will need NTS Certification by USA Archery to be authorized to present the courses and certify Level 1 and Level 2 Instructors.

Certification of Level 4-NTS and Level 5-NTS will be managed by USA Archery and certification of NFAA Advanced Certified Instructor and Master Coach will be managed by NFAA.

The National Training System (NTS):

The NTS is a system of archery training intended to provide trained personnel capable of instruction and coaching at all levels from beginning archery through elite international competitive archery, based on sound bio-mechanical principles. The program was developed by and is managed by USA Archery.

Re-Certification of NTS Instructors and Coaches:

Under the NFAA/USA Archery Joint Certification Agreements and USA Archery requirements, re-certification for Level 1, Level 2 and Level 3-NTS Instructors is an on-line process through the USA Archery Membership Services System. Re-certification access is managed by the USA Archery Certification Coordinator.

The NFAA Advanced Instructor/Master Coach Program:

The Advanced Instructor/Master Coach training Program has as its primary purpose to provide experienced competitive archers the knowledge and skills necessary for successful performance in the disciplines of Target, Field, and 3-D archery. The training is based on the NFAA Training Principles as presented in the “NFAA Shooters’ School”. Training covers compound bow as well as recurve and traditional bow technique, the mental game of competitive archery, archery tournament technique, archery equipment performance and tuning, shooting in outdoor and field conditions, effective coaching and archery practice, and corrective practice techniques. The levels are:

**Advanced Certified Instructor (ACI):** The ACI Certification course, based on the “NFAA Shooters’ School”, is intended for the experienced competitive archer and the content refers to competitive tournament experience. ACI Candidates will need competitive experience to fully comprehend the various aspects of the material presented.

- Successful completion of a three day course (20 to 24 hours depending on number of students) presented by a NFAA Master Coach. Course content will include, but not limited to: NFAA Archery Training Principles, coaching, equipment set-up and tuning, the mental game (including the effect of personality and target panic cures), advanced shot sequence, effective practice and tournament preparation, outdoor shooting and teaching youth, as set out in the Certified Instructor Committee approved course outline.
- Prerequisites: Minimum of 18 years of age, with at least one year of competition archery experience in the adult division. Membership in NFAA, successful completion of a background screening and completion of anti-harassment training such as the USOC “SafeSport” program are required for ACI certification.
- New ACI Instructors under 21 years of age will have a one-year probationary period during which they may be monitored by an Advanced Certified Instructor or Master Coach, 21 years of age or older during archery instruction.
- Course Cost: Varies depending on the cost of materials, Instructor fee and cost of facilities. Facilities must include range or safe area for student instructors to practice the steps of shooting.
- ACI Instructor certification is valid for ten years; however, a current successful background screening is required to maintain certification. ACIs may need to renew their background screening to maintain certification

- The primary purpose of this course is to prepare ACI instructors to teach, coach and develop intermediate to advanced archers and to aid in the archers' development in the sport of competitive archery. AC instructors are certified to present individual or group archery training.
- To reach the Advanced Level II, the instructor must teach 25 students; to reach level III, the instructor must teach 50 students; to reach the Expert Level IV, the instructor must teach 100 students.

**Master Coach:** The Master Coach Certification course is intended to increase the candidates' expertise in the techniques of advanced competitive archery and develop the knowledge and skill to pass those techniques to future elite archers, advanced instructors and coaches.

- Successful completion of a four to five day course (minimum of 32 hours) presented by a minimum of three Master Coaches approved by the NFAA Certified Instructor Committee. The course presenters may also include other archery coaches or sport instruction experts of major repute approved by the Certified Instructor Committee. The course of instruction is based on the NFAA Archery Training Principles and further develops all of the material of the Shooters' School/ACI Course to provide in-depth understanding and expertise in competitive archery. Successful completion is determined by the team of Master Coaches presenting the course.
- Prerequisites: Minimum of 21 years of age, with at least five years of archery experience including competitive archery experience. Master Coach Candidates must be ACI Certified for a least one year prior to the Master Coach certification. Membership in NFAA, successful completion of a background screening and completion of anti-harassment training such as the USOC "SafeSport" programs are required for Master Coach Certification.
- Certification of Master Coaches will be granted by NFAA Headquarters. Documentation of successful completion of the certification requirements must be provided by the course presenter team to the NFAA Headquarters Office.
- New Master Coaches will have a one-year probationary period, during which time their performance may be monitored.
- Course Cost: Varies depending on the presenters' fees and travel cost, and if required, fees for approved guest expert presenters and the cost of materials and facilities.
- Master Coach Certification is valid for 10 years; however, a current successful background screening is required to maintain certification. Master Coaches may need to renew their background screening to maintain certification.
- The primary purpose of the Master Coach course is to raise the level of knowledge, coaching skill and proficiency to the level that prepares the Master Coach to coach archers at the highest level and to pass on that knowledge, skill and proficiency to future coaches and instructors. Master Coaches are certified to present ACI training and to certify Advance Certified Instructors.
- To reach National Level II, the Master Coach must teach 100 students; to reach National Level III, the Master Coach must teach 250 students; to reach Professional Level IV, the Master Coach must teach 500 students.

Re-Certification of NFAA Advanced Certified Instructors and Master Coaches:

Advanced Certified Instructors and Master Coaches will maintain their certification for ten years following certification as long as their NFA membership remains current. Lapse of NFAA membership will cause the loss of instructor/coach certification. Re-certification will be managed by the NFAA Certified Instructor Committee through the NFAA Headquarters Office.

**Advance Certified Instructor:**

- Advanced Certified Instructor may re-certify by auditing an Advanced Certified Instructor Course at the reduced fee of \$50.00 (\$20.00 to the NFAA for record keeping), or by applying to the Certified Instructor Committee for recertification and paying a \$20.00 re-certification fee, providing that they have been active instructors/coaches during their certification period.
- Re-certification will not be unreasonably withheld.

**Master Coach:**

- Master Coaches may re-certify by auditing a NFAA Master Coach Course at the reduced fee of \$100.00 (\$30.00 to the NFAA for record keeping), or by applying to the Certified Instructor Committee for recertification and paying a \$30.00 re-certification fee, providing that they have been active coaches during their certification period.
- Re-certification will not be unreasonably withheld.

Re-certification after NFAA membership lapse:

If at any time an individual lets his/her NFAA membership expire, his/her certification as a Certified Instructor or Master Coach will also expire, and re-certification will be required. To re-certify his/her Instructor or Coach certification, the individual must first renew his/her NFAA membership and follow the re-certification process as described above.

2014: Certified Instructor and Master Coach Certification Requirements:

The certification of all NFAA Advanced Certified Instructors and Master Coaches received after February 1994 and prior to January 2014 will expire 10 years from the date of issuance. Advanced Certified Instructors and Master Coaches certified prior to February 1994 shall retain their certification for as long as they remain NFAA members; however, to receive instructor/coach insurance coverage, those instructors, coaches will need a successful background screening and to complete anti-harassment training such as the USOC “SafeSport” program.

## **RIC Rulings Upheld**

There were no RIC’s considered at the 2019 Board of Directors Meeting.

**Appendix 1**

Combined Flight Chart For <b>Both Less Than 200</b> and More Than 200 Shooters										
Number of Shooters in Each Style	1st Flight		2nd Flight		3rd Flight		4th Flight		5th Flight	
	<200	>200	<200	>200	<200	>200	<200	>200	<200	>200
1	<b>1</b>	1								
2	<b>2</b>	2								
3	<b>3</b>	3								
4	<b>4</b>	4								
5	<b>5</b>	5								
6	<b>6</b>	6								
7	<b>7</b>	7								
8	<b>8</b>	8								
9	<b>9</b>	9								
10	<b>5</b>	10	<b>5</b>							
11	<b>6</b>	11	<b>5</b>							
12	<b>6</b>	12	<b>6</b>							
13	<b>7</b>	13	<b>6</b>							
14	<b>7</b>	14	<b>7</b>							
15	<b>8</b>	15	<b>7</b>							
16	<b>8</b>	8	<b>8</b>	8						
17	<b>9</b>	9	<b>8</b>	8						
18	<b>9</b>	9	<b>9</b>	9						
19	<b>10</b>	10	<b>9</b>	9						
20	<b>7</b>	10	<b>7</b>	10	<b>6</b>					
21	<b>7</b>	11	<b>7</b>	10	<b>7</b>					
22	<b>8</b>	11	<b>7</b>	11	<b>7</b>					
23	<b>8</b>	12	<b>8</b>	11	<b>7</b>					
24	<b>8</b>	12	<b>8</b>	12	<b>8</b>					
25	<b>9</b>	13	<b>8</b>	12	<b>8</b>					
26	<b>9</b>	13	<b>9</b>	13	<b>8</b>					
27	<b>9</b>	14	<b>9</b>	13	<b>9</b>					
28	<b>10</b>	14	<b>9</b>	14	<b>9</b>					
29	<b>10</b>	15	<b>10</b>	14	<b>9</b>					
30	<b>8</b>	15	<b>8</b>	15	<b>7</b>		<b>7</b>			
31	<b>8</b>	11	<b>8</b>	10	<b>8</b>	10	<b>7</b>			
32	<b>8</b>	11	<b>8</b>	11	<b>8</b>	10	<b>8</b>			
33	<b>9</b>	11	<b>8</b>	11	<b>8</b>	11	<b>8</b>			
34	<b>9</b>	12	<b>9</b>	11	<b>8</b>	11	<b>8</b>			
35	<b>9</b>	12	<b>9</b>	12	<b>9</b>	11	<b>8</b>			
36	<b>9</b>	12	<b>9</b>	12	<b>9</b>	12	<b>9</b>			
37	<b>10</b>	13	<b>9</b>	12	<b>9</b>	12	<b>9</b>			
38	<b>10</b>	13	<b>10</b>	13	<b>9</b>	12	<b>9</b>			
39	<b>10</b>	13	<b>10</b>	13	<b>10</b>	13	<b>9</b>			
40	<b>8</b>	14	<b>8</b>	13	<b>8</b>	13	<b>8</b>		<b>8</b>	
41	<b>9</b>	14	<b>8</b>	14	<b>8</b>	13	<b>8</b>		<b>8</b>	

NFAA

2019/2020/2021

42	9	14	9	14	8	14	8		8	
43	9	15	9	14	9	14	8		8	
44	9	15	9	15	9	14	9		8	
45	9	15	9	15	9	15	9		9	
46	10	12	9	12	9	11	9	11	9	
47	10	12	10	12	9	12	9	11	9	
48	10	12	10	12	10	12	9	12	9	
49	10	13	10	12	10	12	10	12	9	
50		13		13		12		12		
51		13		13		13		12		
52		13		13		13		13		
53		14		13		13		13		
54		14		14		13		13		
55		14		14		14		13		
56		14		14		14		14		
57		15		14		14		14		
58		15		15		14		14		
59		15		15		15		14		
60		15		15		15		15		
61		13		12		12		12		12
62		13		13		12		12		12
63		13		13		13		12		12
64		13		13		13		13		12
65		13		13		13		13		13
66		14		13		13		13		13
67		14		14		13		13		13
68		14		14		14		13		13
69		14		14		14		14		13
70		14		14		14		14		14
71		15		14		14		14		14
72		15		15		14		14		14
73		15		15		15		14		14
74		15		15		15		15		14
75		15		15		15		15		15

**Equal Division Rule:** Equal division of the number of archers in each flight will be maintained, except that the last flight will record a lesser number (for two flights) or an unequal number (for three or more flights) as may be required. When two or more tie scores appear at the flight break, the archers tied will be placed at the bottom of the upper flight, without disturbing the remaining flights as originally established.

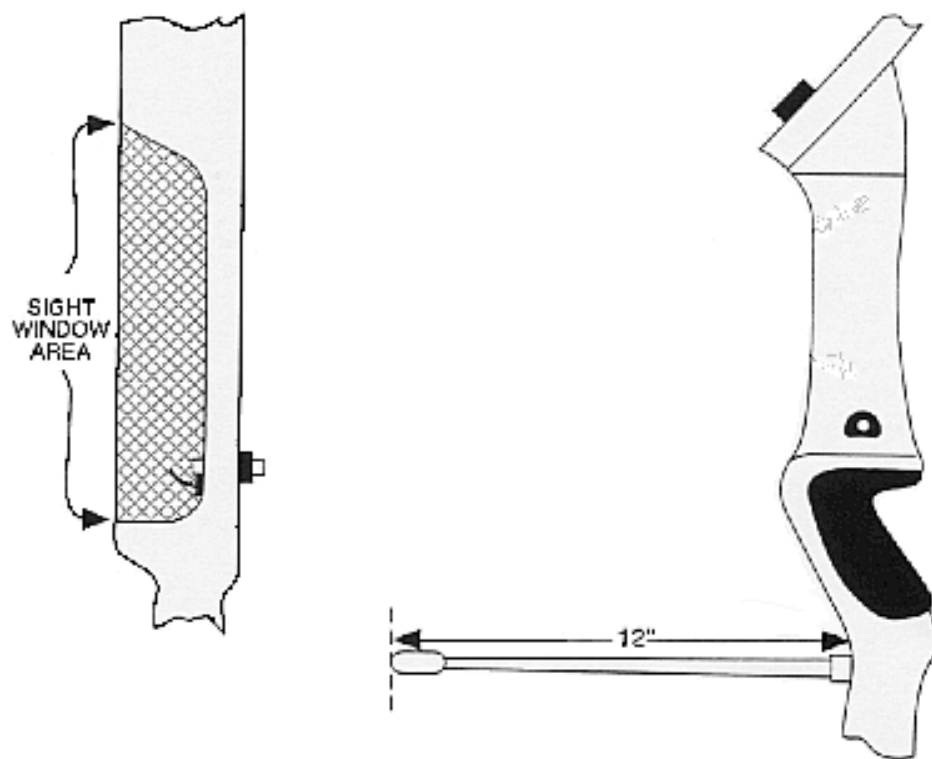


**NFAA  
INDOOR ARCHERY  
GAME AVERAGE  
AND HANDICAP CALCULATOR**

Six Game Total	Game Avg.	80% Game Hdc.	Six Game Total	Game Avg.	80% Game Hdc.	Six Game Total	Game Avg.	80% Game Hdc.	Six Game Total	Game Avg.	80% Game Hdc.
600	100	0	450-455	75	20	300-305	50	40	150-155	25	60
594-599	99	0	444-449	74	20	294-299	49	40	144-149	24	60
588-593	98	1	438-443	73	21	288-293	48	41	138-143	23	61
582-587	97	2	432-437	72	22	282-287	47	42	132-137	22	62
576-581	96	3	426-431	71	23	276-281	46	43	126-131	21	63
570-575	95	4	420-425	70	24	270-275	45	44	120-125	20	64
564-569	94	4	414-419	69	24	264-269	44	44	114-119	19	64
558-563	93	5	408-413	68	25	258-263	43	45	108-113	18	65
552-557	92	6	402-407	67	26	252-257	42	46	102-107	17	66
546-551	91	7	396-401	66	27	246-251	41	47	96-101	16	67
540-545	90	8	390-395	65	28	240-245	40	48	90-95	15	68
534-539	89	8	384-389	64	28	234-239	39	48	84-89	14	68
528-533	88	9	378-383	63	29	228-233	38	49	78-83	13	69
522-527	87	10	372-377	62	30	222-227	37	50	72-77	12	70
516-521	86	11	366-371	61	31	216-221	36	51	66-71	11	71
510-515	85	12	360-365	60	32	210-215	35	52	60-65	10	72
504-509	84	12	354-359	59	32	204-209	34	52	54-59	9	72
498-503	83	13	348-353	58	33	198-203	33	53	48-53	8	73
492-497	82	14	342-347	57	34	192-197	32	54	42-47	7	74
486-491	81	15	336-341	56	35	186-191	31	55	36-41	6	75
480-485	80	16	330-335	55	36	180-185	30	56	30-35	5	75
474-479	79	16	324-329	54	36	174-179	29	56	24-29	4	76
468-473	78	17	318-323	53	37	168-173	28	57	18-23	3	77
462-467	77	18	312-317	52	38	162-167	27	58	12-17	2	78
456-461	76	19	306-311	51	39	155-161	26	59	6-11	1	79

**Appendix 2**





### HOW TO MEASURE YOUR BOWHUNTER STABILIZER BAR

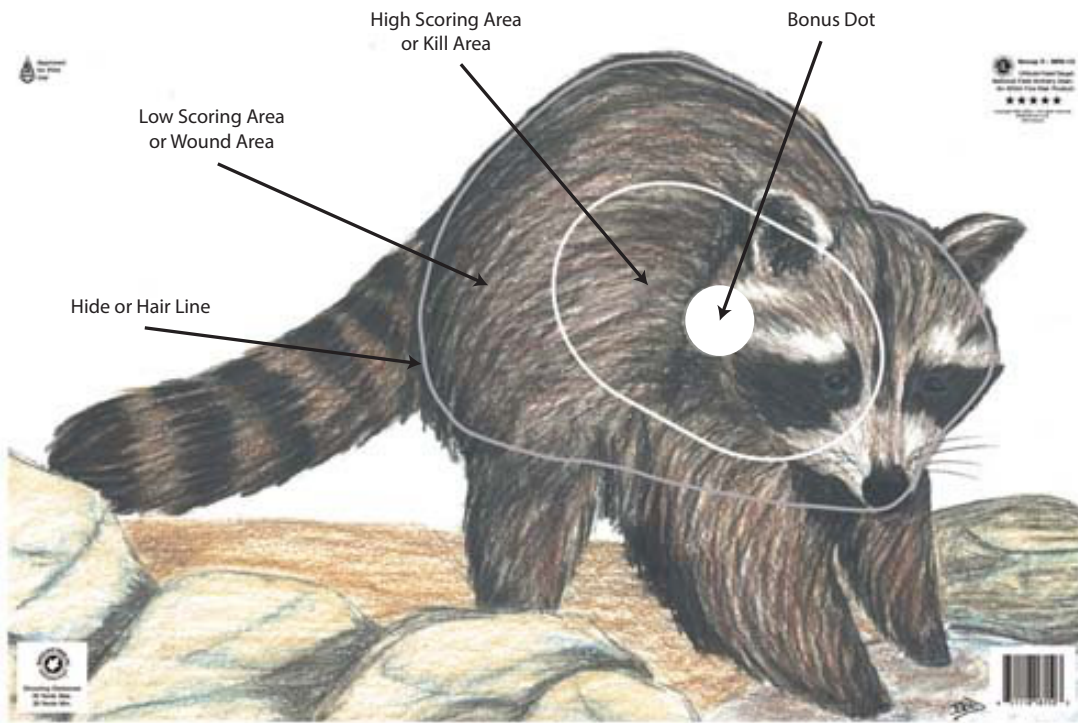


## NFAA DIVISION/STYLE NOMENCLATURE

Division and Age Range	Gender	Freestyle	Freestyle Limited	Barebow	Bowhunter Freestyle	Freestyle Limited Recurve	Traditional	Barebow Recurve	Longbow	Crossbow
BarAdult 18 and older	Male	AMFS	AMFSL	AMBB	AMBHFS	AMFSLR	AMTRAD	AMBBR	AMLB	CXBM
	Female	AFFS	AFFSL	AFBB	AFBHFS	AFFSLR	AFTRAD	AFBBR	AFLB	CXBF
Cub Under 12	Male	CMFS		CMBB	CMBHFS	CMFSLR				
	Female	CFFS		CFBB	CFBHFS	CFFSLR				
Youth 12 – 14	Male	YMFS		YMBB	YMBHFS	YMFSLR				
	Female	YFFS		YFBB	YFBHFS	YFFSLR				
Young Adult 15 – 17	Male	YAMFS		YAMBB	YAMBHFS	YAMFSLR				
	Female	YAFFS		YAFBB	YAFBHFS	YAFFSLR				
Senior 50 and older	Male	SMFS	SMFSL	SMBB	SMBHFS	SMFSLR	SMTRAD	SMBBR		
	Female	SFFS	SFFSL	SFBB	SFBHFS	SFFSLR	SFTRAD	SFBBR		
Silver Senior 60 and older	Male	SSMFS	SSMFSL	SSMBB	SSMBHFS	SSMFSLR	SSMTRAD			
	Female	SSFFS	SSFFSL	SSFBB	SSFBHFS	SSFFSLR	SSFTRAD			
Master Senior 70 and older	Male	MSMFS	MSMFSL	MSMBB	MSMBHFS	MSMFSLR	MSMTRAD			
	Female	MSFFS	MSFFSL	MSFBB	MSFBHFS	MSFFSLR	MSFTRAD			
*Pro 18 and older	Male	PMFS								
	Female	PFFS								
*Senior Pro 50 and older	Male	SPMFS								
	Female	SPFFS								
*Silver Senior Pro 60 and older	Male	SSPMFS								
	Female	SSPFFS								
*MasterSenior Pro 70 and older	Male	MSPMFS								
	Female	MSPFFS								

\*NFAA Pro Membership Required

### Appendix 5



**Appendix 6**

**NFAA**  
**2019/2020/2021**

---

<b>A</b>		
Absentee Score 66, 68, 70		<b>L</b>
Affiliation, 13, 79	Leagues 66	
Agenda 15, 17, 19, 20, 40	Let Down 47, 64	
Alternate 12, 16, 40, 45, 51, 67, 68	Life Membership 10, 25	
Amendments 17, 26, 88	Longbow 34, 45, 64, 88, 99	
Animal Round 43, 52, 80		<b>M</b>
Arrow Diameter 29	Mail Vote 16, 18	
Arrow Speed 29, 44	Marked Arrows 47, 53	
Art Young 73	Medal of Merit 77	
	Military 25	
<b>B</b>		<b>N</b>
Barebow 29, 45, 99	NAA Membership 11	
Barebow Recurve 34, 44, 45, 99	National Tournament 42, 86	
Bi-Annual Meeting 10, 12, 15-26		<b>O</b>
Big Game Awards 74	Official Publication 15, 18, 23	
Board of Directors 16-26	Officers 14-21	
Bounce Outs 47, 55, 63	Order of the Bone 78	
Bowhunter 10, 25, 27, 30, 74, 86, 97		<b>P</b>
<b>C</b>		
Charter 25, 43, 66, 70, 72, 78	President 14-24	
Compliance Affidavit 13	Professional 11, 17, 25, 36	
Compton 23, 76, 85	Protest 17, 43, 62	
Conservation 9, 22, 73	Public Relations 14, 23	
Counter Balance 27		<b>Q</b>
Course Approval 25, 54, 79	Quorum 16, 19	
Cub 10, 25, 27, 35, 45, 57, 64, 98, 99		<b>R</b>
<b>D</b>		
Delegate 16, 80	Residence 10, 74, 86	
Diamond Buck 76	RIC 21	
Draw Check 30	Robinhood 78	
Draw Weight 29-33, 45	Round 27	
Dropped Arrow 48, 55		<b>S</b>
<b>E</b>		
Editorial Board 24	Scholarship 26	
Election 15, 17, 20, 21, 38	Sectional 43	
Executive Secretary 14-24	Senior 36, 45, 99	
Expenses 19	Service Pins 11, 72	
Expulsion 13, 38	Shooting Rules 46, 51	
	Shooting Styles 29	
<b>F</b>		
Fees 10, 12, 13, 18, 19, 20, 24, 42, 66	Sight Window 31, 34	
Field Round 50, 54, 72, 98	Stabilizer 27, 30-32, 97	
Flight 27, 44, 48, 86, 94	Standard Unit 50-57, 87	
Flint 57	Stake 27	
Freestyle 30, 45, 99	State Championship 11, 12, 39	
Freestyle Limited 30, 45, 99	String Dampening Device 27	
Funds 20, 26,	Suspension 11, 13, 38, 50	
		<b>T</b>
<b>G</b>		
Guest 12, 27, 46, 60	Target Face 28, 45, 46, 53-60, 64, 98	
	Tournament Chairman 23, 44	
<b>H</b>		
Handicap 27, 48, 66, 96	Traditional 31, 99	
Hunter Round 51, 98		<b>U</b>
<b>I</b>		
Immediate Past President 18, 21, 24	Unit Rule 48	
Indoor Round 54, 66		<b>V</b>
Inspection 79	Vegas Round 55, 56, 66, 69	
Instructor 23, 90		
International 54, 72, 98		